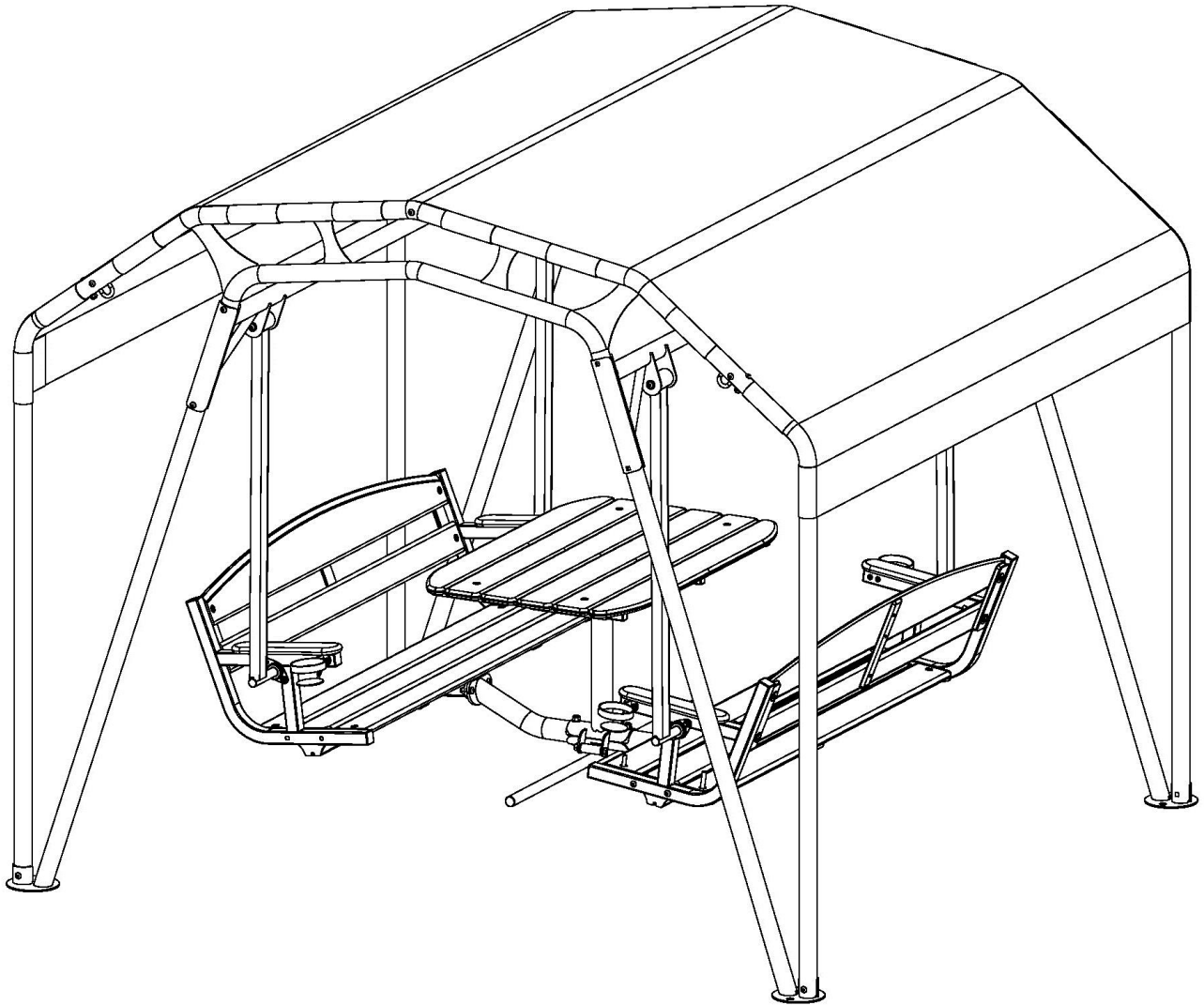


Sunset Swings

Assembly & Operation Manual

Model 460GN

Six Person Glider



Record Serial Number Here

READ! VERY IMPORTANT RESIDENTIAL USE ONLY FOR ADULTS ONLY

Caution: Make sure the swing has completely stopped before entering or exiting the swing. Be careful as the swing may shift while entering or exiting.

Ensure that the 460 swing is set up on a firm level surface.

This swing is for casual relaxation swinging only.

Keep all body parts within the swing seat while in motion.

Make sure bystanders are at least 5 feet away from the swing while it is in motion. Be cautious swinging while children are present as they may stray into the path of the swing. Be careful placing the swing too close to a structure as severe injury might occur if a person gets caught between the structure and the swing or damage might occur if the swing hits the structure.

In freezing climates, the canopy should be removed, folded and stored in a dry place before the first freeze or snow and until the last freeze or snow has passed. The canopy can not support the weight of snow. Failure to remove the canopy during periods of snow will damage the canopy and void its warranty.

The canopy is not designed for high winds. If high winds are expected, please remove the canopy. Failure to follow this instruction can result in damage to the canopy and void its warranty.

The swing uses a natural hardwood which might contain slight imperfections.

See the General Maintenance section for proper care of the wood.

Thank you for choosing Sunset Swings. Please read the contents of this manual thoroughly. The information inside will help you in many different areas. You will need to send in your customer registration card at the back of this manual to validate your warranty. You may also complete your customer registration at www.sunsetswings.com.

Table of Contents

Positioning Your Swing_____	4
Tools Required For Assembly_____	4
Helpful Installation Hints_____	4
Exploded Swing Diagram_____	5, 6
Hardware and Tool Diagram_____	7
Parts and Hardware List_____	8
Assembly Instructions_____	9-24
Swing Weekly Maintenance _____	25
Safety Information_____	26
Label Reference_____	27
Limited Warranty_____	28
Warranty Claim Procedure_____	28

Sunset Swings by Health In Motion LLC reserves the right to alter the specifications of this product at any time.

Positioning Your Swing

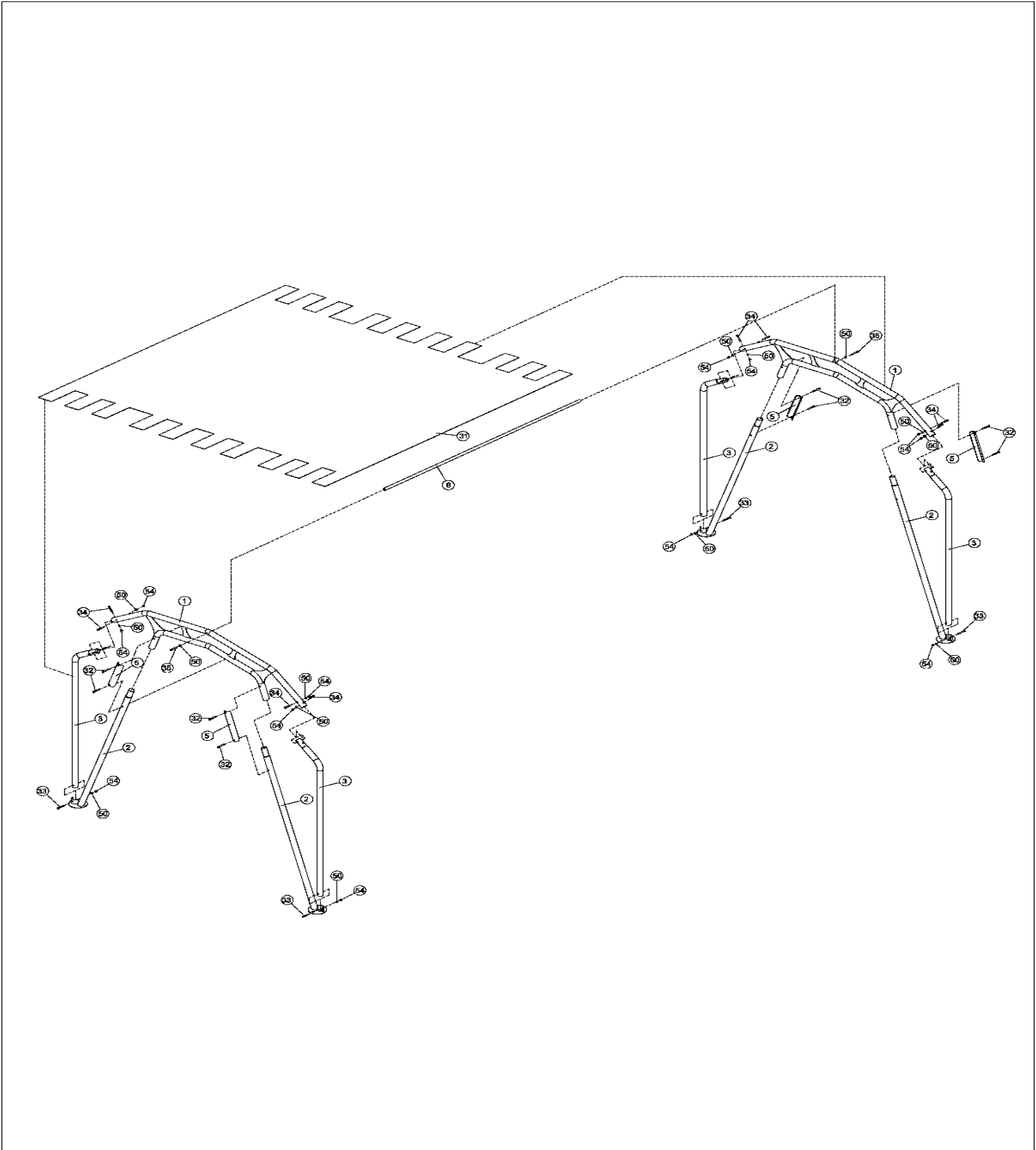
1. **The swing is designed to be installed on a level surface.**
2. **There should be a minimum clearance of five feet in front and back and two feet on each side of your swing. It should be placed in an area where children will not stray or walk into the path of the swing.**
3. **Be careful placing the swing too close to a structure as severe injury might occur if a person gets caught between the structure and the swing or damage might occur if the swing hits the structure.**

Tools required for assembly

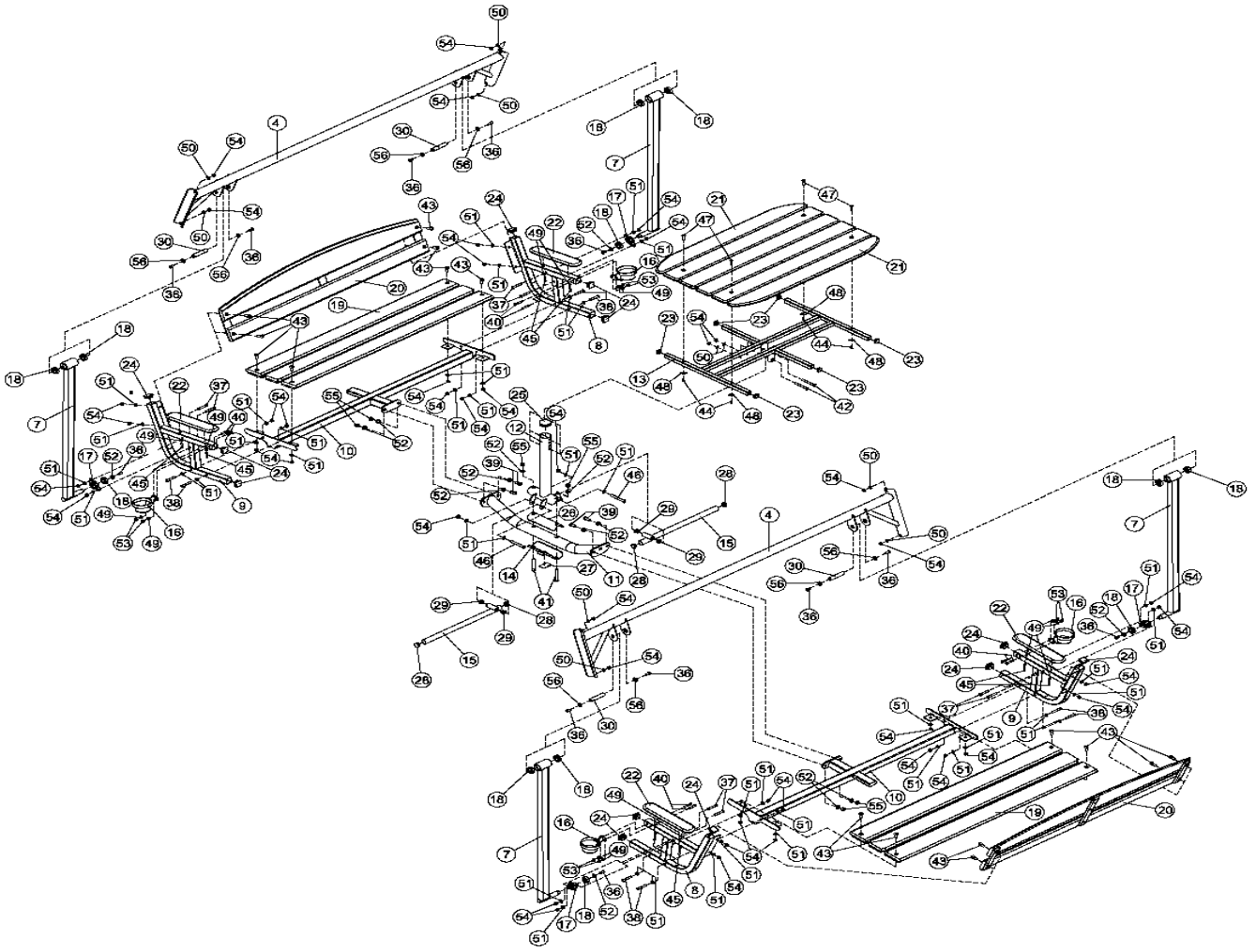
1. 13, 17 and 19 mm box or ratchet wrench
2. 4, 5 and 6 mm Allen wrenches (supplied with the hardware)

Helpful installation hints

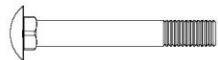
1. **At least 2 people are required to assemble this swing. Some parts are large and heavy. Use care when handling.**
2. Identify all of the parts for your swing. Empty the boxes and lay out the parts for identification using the Parts List.
3. Read all the way through the instructions completely before beginning the assembly.
4. Do not tighten hardware completely until instructed. It helps to have some adjustment for bolt alignment while you are connecting parts. Follow the tightening sequence as mentioned in the steps. **After you have completed the assembly, recheck that all hardware is secure and tight.**



Exploded Diagram 1



Exploded Diagram 2



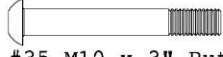
#32 M10 x 2 7/8" Carriage Bolt (QTY 8)



#33 M10 x 2 5/8" Carriage Bolt (QTY 4)



#34 M10 x 2 1/2" Carriage Bolt (QTY 8)



#35 M10 x 3" Button Head Bolt (Qty 2)



#36 M10 x 1" Button Head Bolt (Qty 12)



#37 M10 x 2" Carriage Bolt (QTY 8)



#38 M10 x 2 1/4" Button Head Bolt (Qty 8)



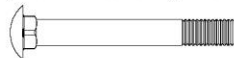
#39 M12 x 1 3/8" Button Head Bolt (Qty 4)



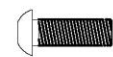
#40 M8 x 2" Carriage Bolt (QTY 8)



#41 M12 x 3 3/8" Carriage Bolt (QTY 2)



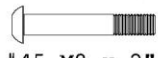
#42 M10 x 3 1/8" Carriage Bolt (QTY 2)



43 M10x1 5/8" Button Head Bolt (Qty 16)



#44 M6 x 5/8" Button Head Bolt (Qty 4)



#45 M8 x 2" Button Head Bolt (Qty 8)



#46 M10 x 3 5/8" Button Head Bolt (Qty 2)



#47 3/8"DIA x 1 1/2"
M6 x 3/4" NUT (Qty 4)



#48 M6 Flat Washer (4 PCS)



#49 M8 Flat Washer (16 PCS)



#50 M10 Washer (24 PCS)



#51 M10 Flat Washer (44 PCS)



#52 M12 Flat Washer (14 PCS)



#53 M8 Lock Nut (8 PCS)



#54 M10 Lock Nut (56 PCS)



#55 M12 Lock Nut (6 PCS)



#56 Ø25xØ10.5x2.5 Flat Washer (8 PCS)



#57 4mm Allen Wrench (1 PCS)



#58 6mm Allen Wrench (2 PCS)



#59 8mm Allen Wrench (1 PCS)

Parts List

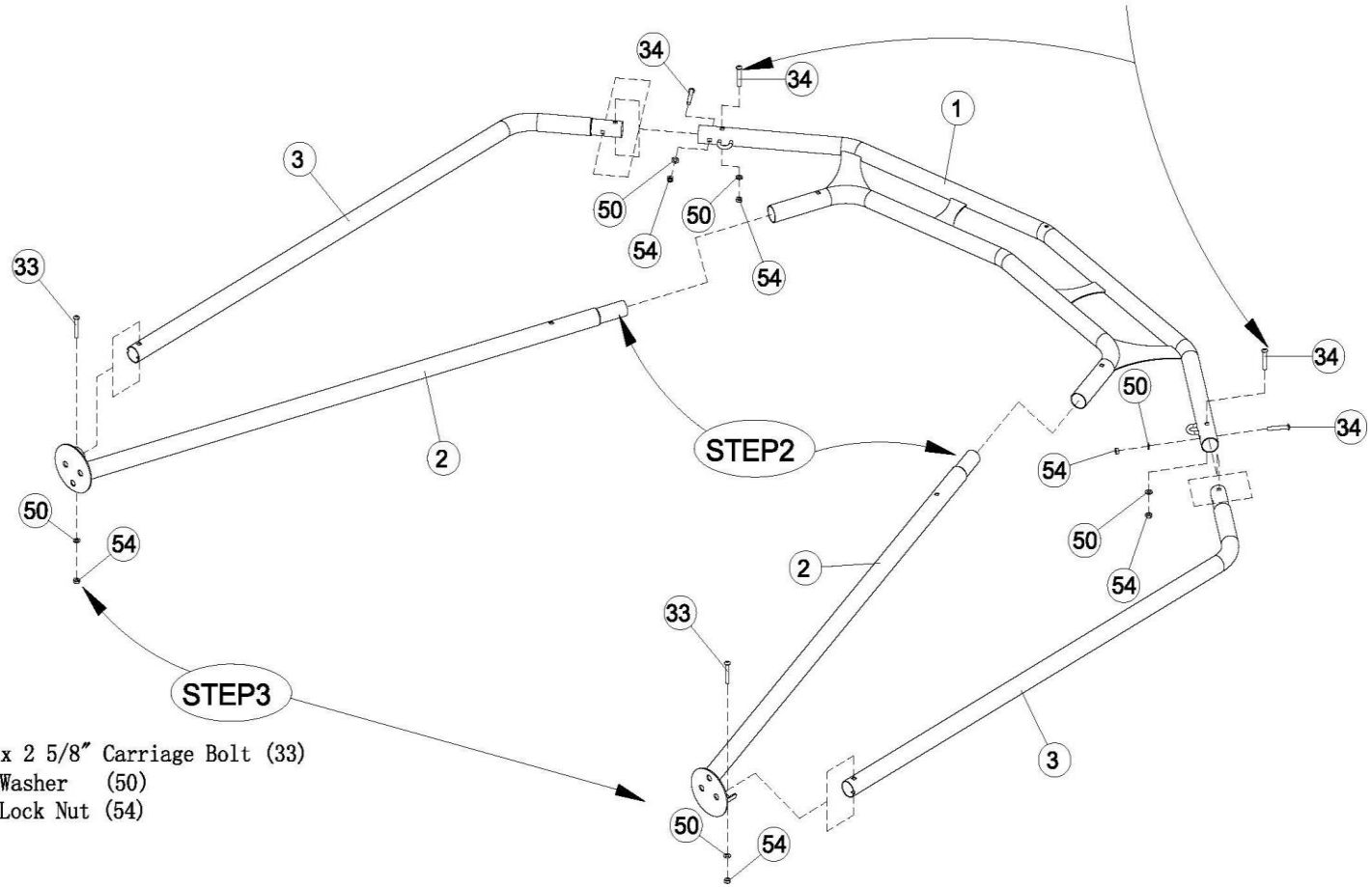
Part#	Description	Qty (pcs)
1	Top Beam	2
2	Inside Upright	4
3	Corner Upright	4
4	Cross Beam	2
5	Upright Bracket	4
6	Canopy Support Tube	1
7	Swing Arm	4
8	Left Seat Frame	2
9	Right Seat Frame	2
10	Seat Base	2
11	Table Base	1
12	Table Post	1
13	Table Frame	1
14	Foot Rest stopper	1
15	Foot Rest	2
16	Cup Holder	4
17	Bearing Flange	4
18	Ball Bearing	12
19	Wood Seat	2
20	Seat Back	2
21	Table Wood	2
22	Arm Rest	4
23	End Cap (fit with 25.4*25.4*2 tube)	6
24	End Cap (fit with 38*38*2.5 tube)	12
25	End Cap (ϕ 60)	1
26	Anti-Slipping pad	1
27	Rubber Pad	1
28	End Cap	4
29	Bushing	4
30	Shaft	4
31	Canopy	1

Hardware List

Part#	Description	Qty (pcs)
32	M10*73 Carriage Bolt	8
33	M10*67 Carriage Bolt	4
34	M10*63 Carriage Bolt	8
35	M10*75 Button Head Screw	2
36	M10*25 Button Head Screw	12
37	M10*53 Carriage Bolt	8
38	M10*58 Button Head Screw	8
39	M12*35 Button Head Screw	4
40	M8*51 Carriage Bolt	8
41	M12*84 Carriage Bolt	2
42	M10*80 Carriage Bolt	2
43	M10*26*M6 T Nut	16
44	M6*15 Button Head Screw	4
45	M8*50 Button Head Screw	8
46	M10*93 Button Head Screw	2
47	M10*37*M6 T Nut	4
48	Φ 6 Large Washer	4
49	Φ 8 Flat Washer	16
50	Φ 10 Arc Washer	24
51	Φ 10 Flat Washer	44
52	Φ 12 Flat Washer	14
53	M8 Lock Nut	8
54	M10 Lock Nut	56
55	M12 Lock Nut	6
56	Φ 25* Φ 10*2.5 Washer	8
57	4# Allen Wrench	1
58	6# Allen Wrench	2
59	8#(120*40) Allen Wrench	1

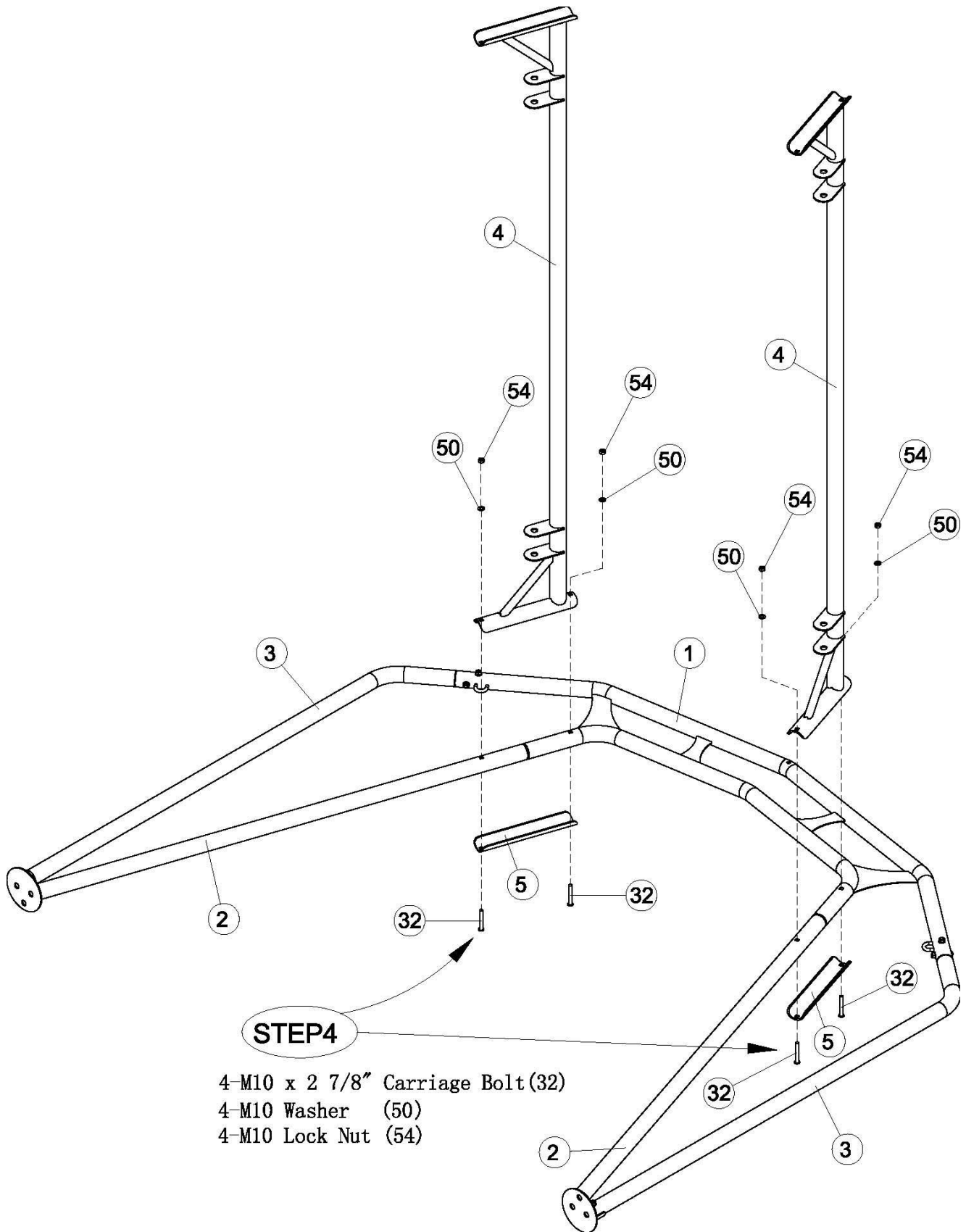
STEP1

- 4-M10 x 2 1/2" Carriage Bolt (34)
- 4-M10 Washer (50)
- 4-M10 Lock Nut (54)

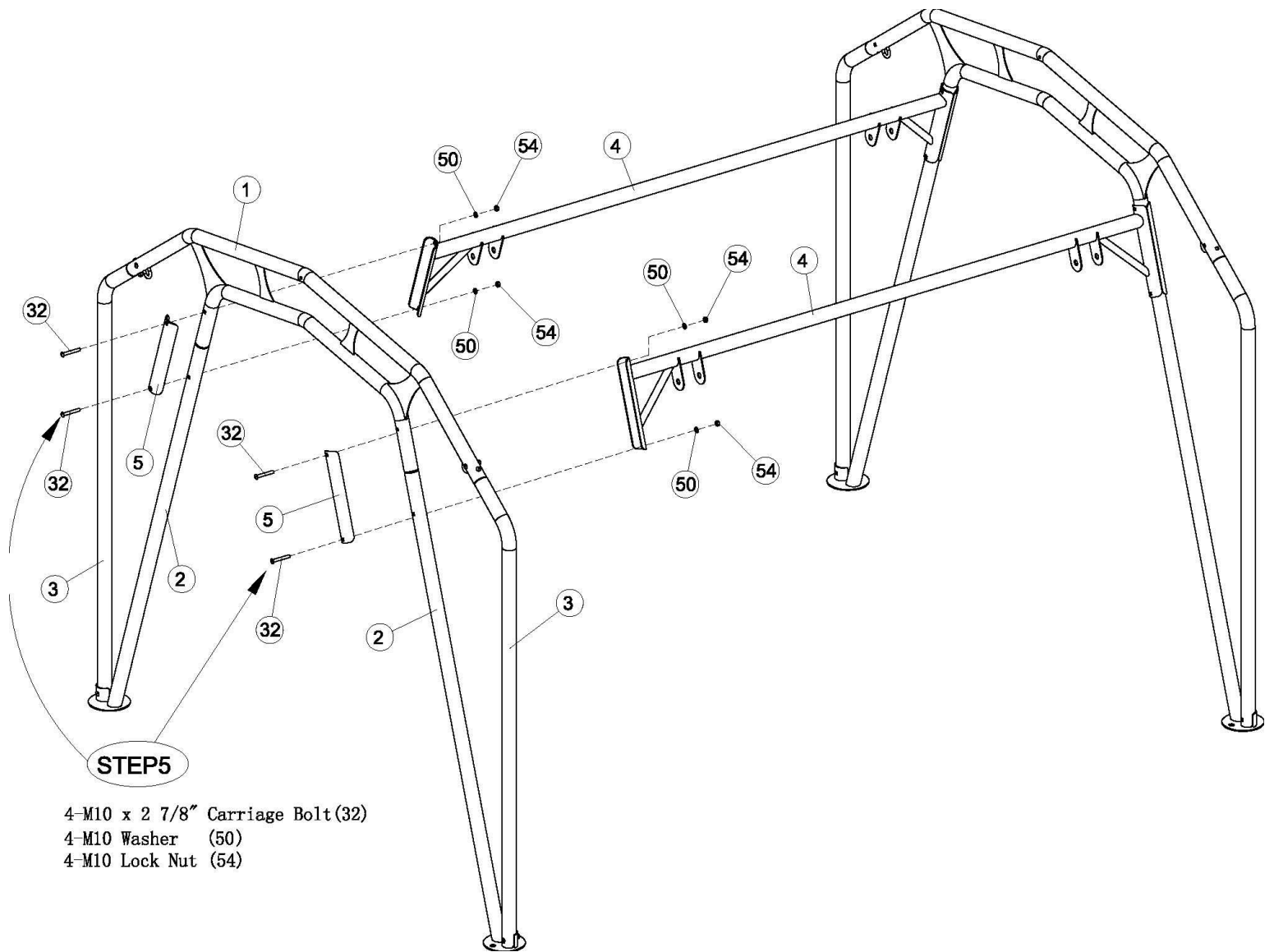


- 2-M10 x 2 5/8" Carriage Bolt (33)
- 2-M10 Washer (50)
- 2-M10 Lock Nut (54)

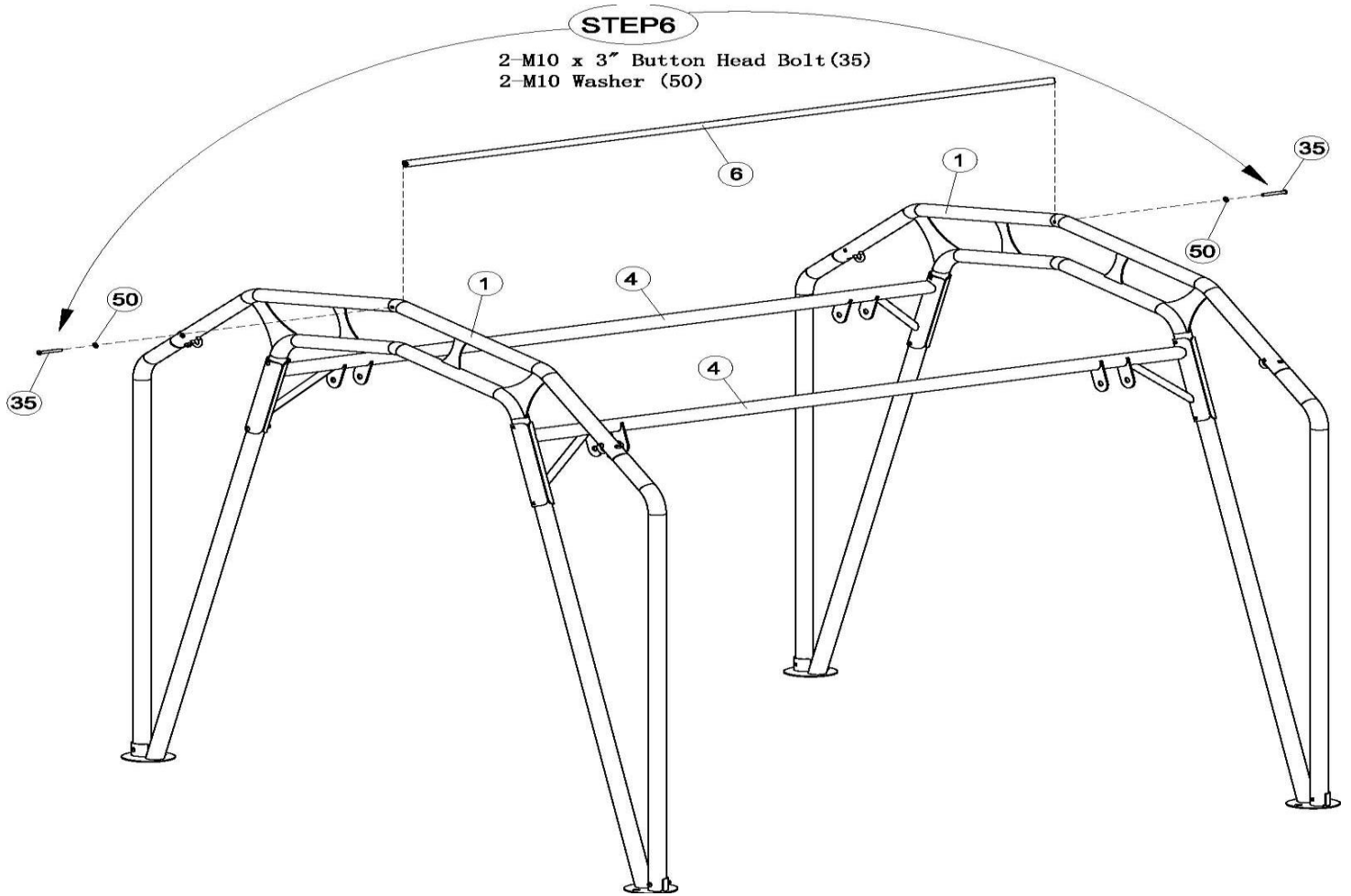
**Complete Step 1 through 3 for both sides of the swing.
Only finger tighten the hardware in Steps 1 through 3 at this time.
This will make it easier to install the hardware. It will be fully
tightened later.**



Two people are required for Step 4
Tighten all the hardware in Step 4 at this time.



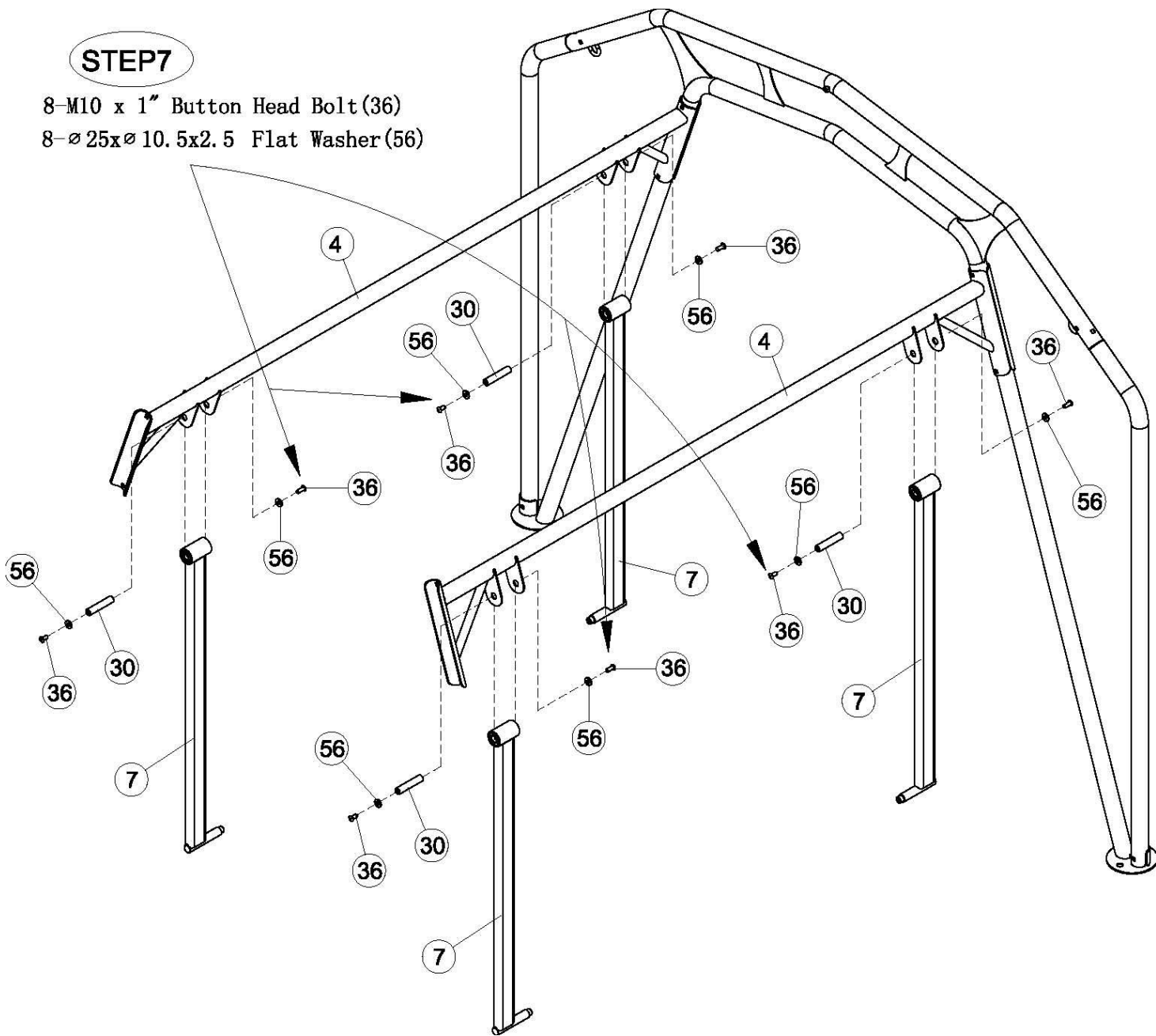
**Two people are required for Step 5.
Finger tighten the hardware in Step 5 at this time.**



Two people are required for Step 6. The curve at both ends of the Canopy Support Tube (#6) should align with the curve of the Top Beam (#1). Fully tighten all the hardware in Steps 1 through 6 at this time.

STEP 7

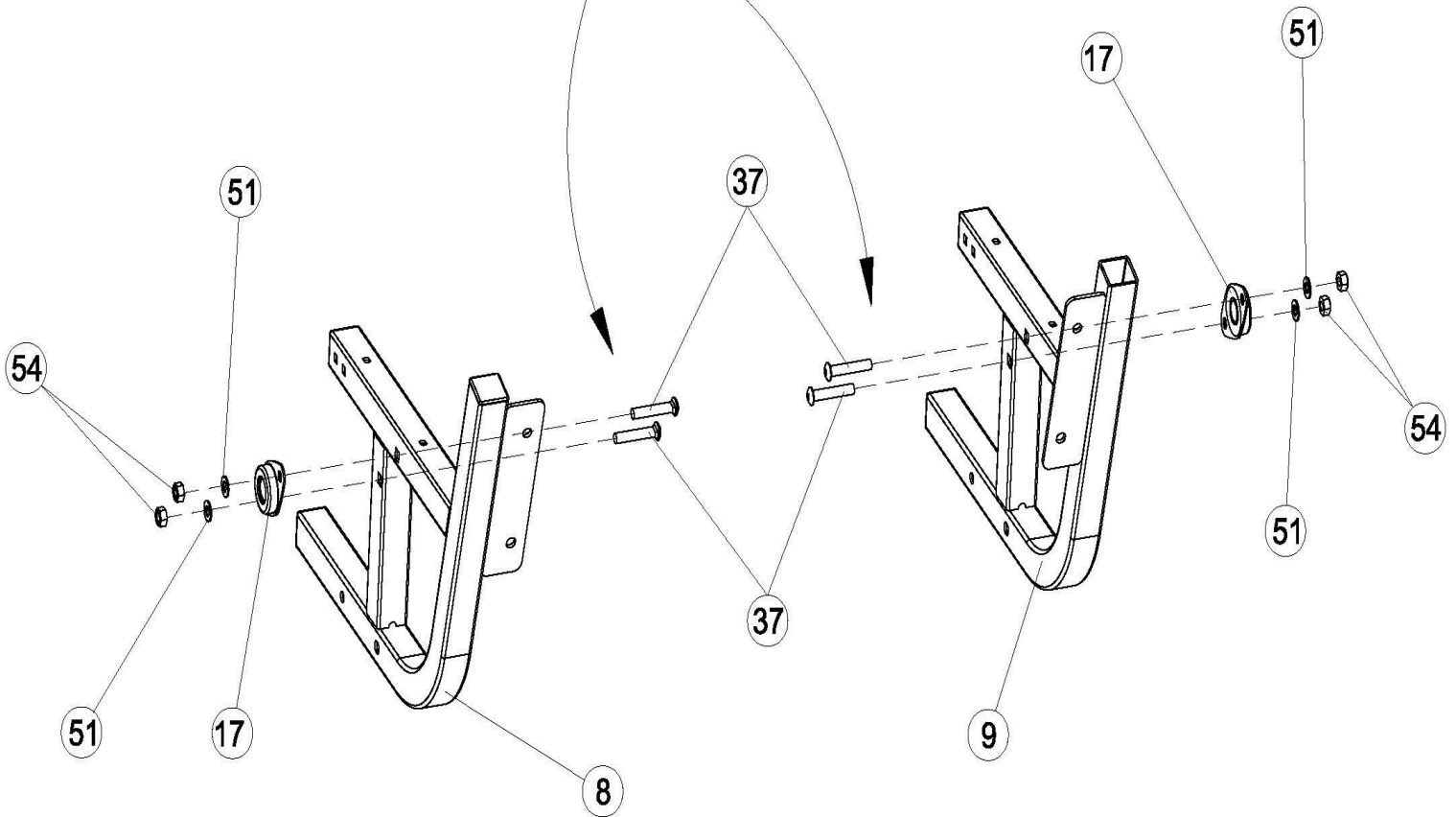
8-M10 x 1" Button Head Bolt (36)
8- \varnothing 25x \varnothing 10.5x2.5 Flat Washer (56)



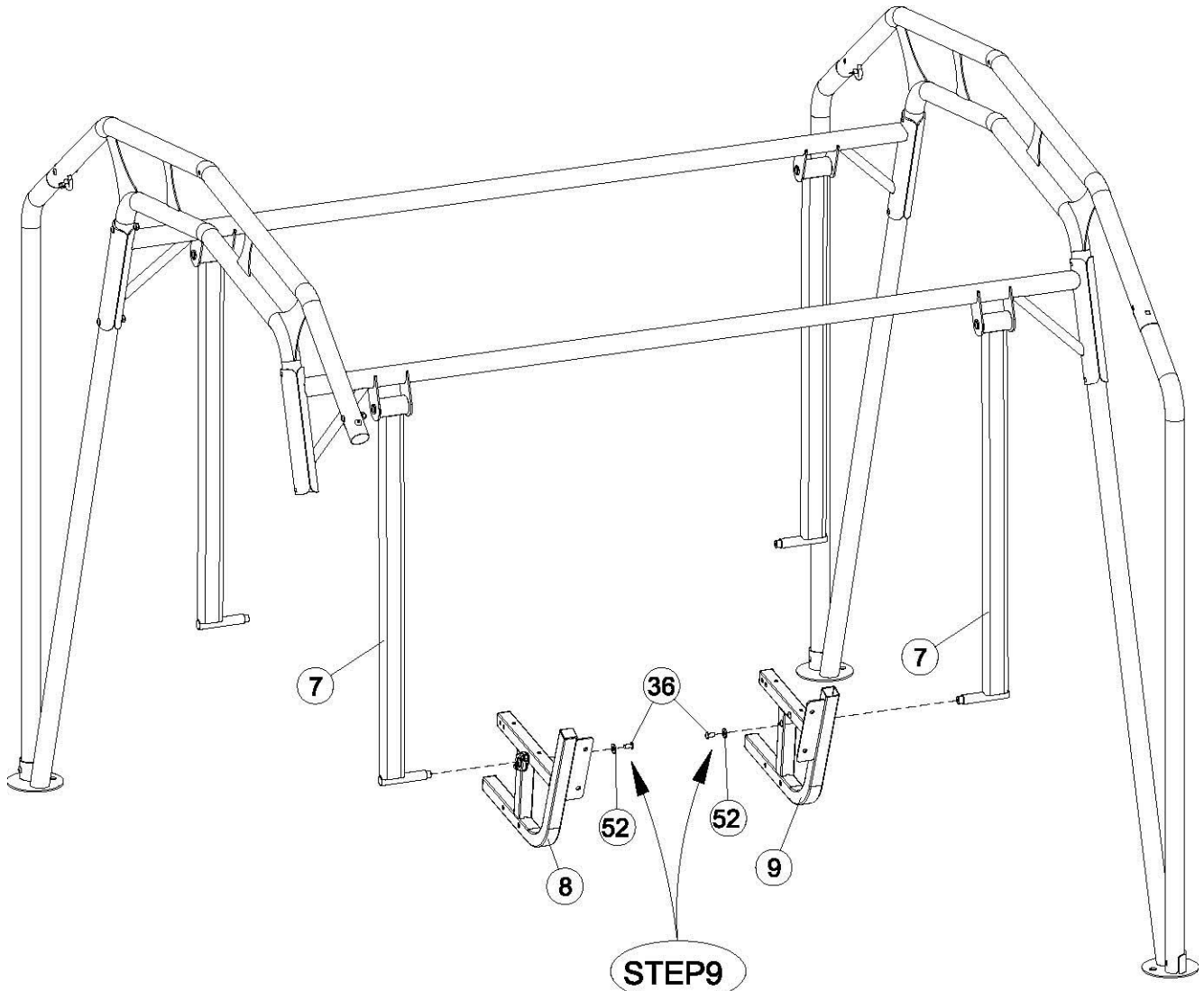
Tighten all the hardware in Step 7 at this time.

STEP8

- 4-M10 x 2" Carriage Bolt (37)
- 4-M10 Flat Washer (51)
- 4-M10 Lock Nut (54)



Complete Step 8 for all four of the Seat Frames (#8 & #9) Tighten the hardware in Step 8 at this time.

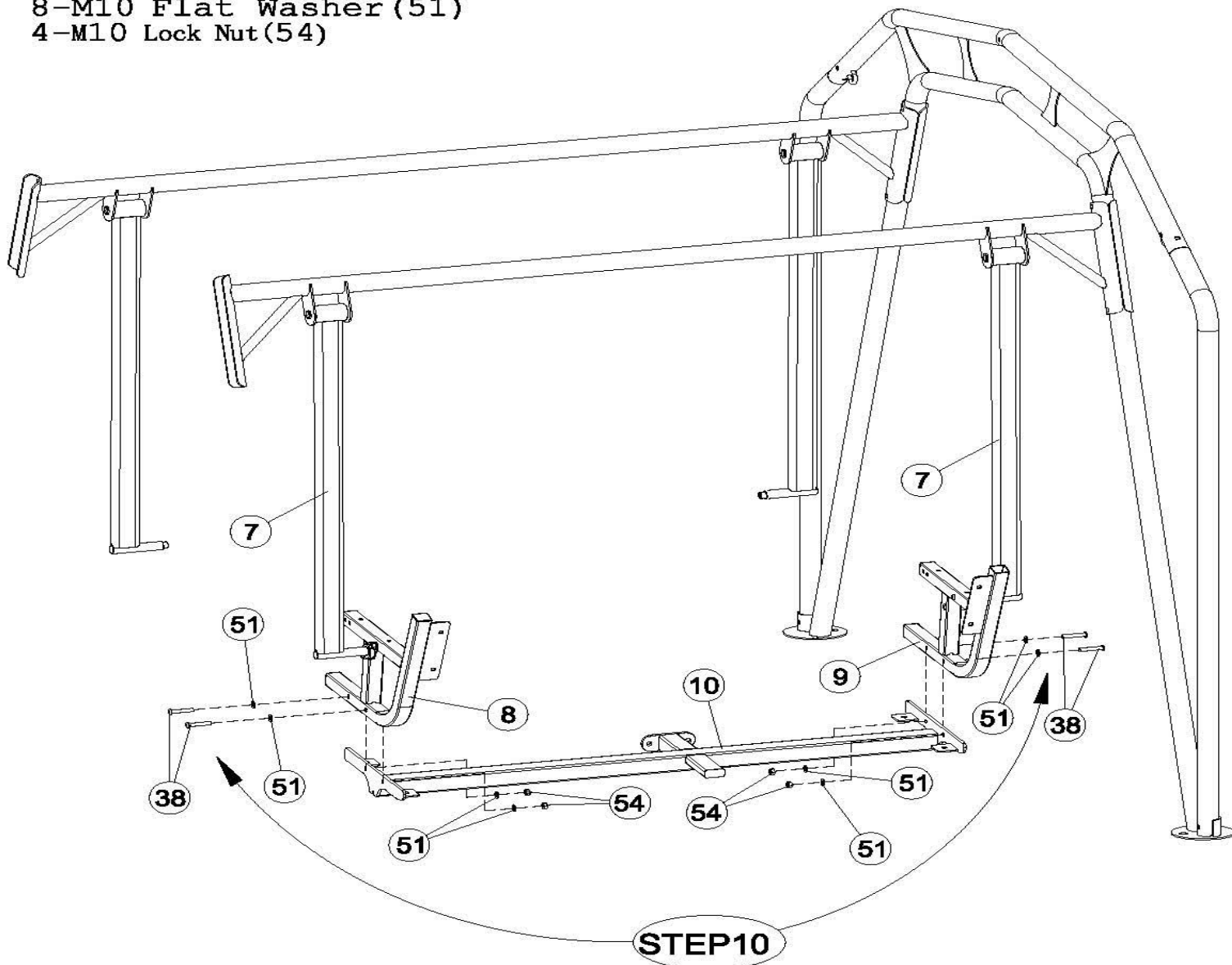


2-M10 x 1" Button Head Bolt (36)
2-M12 Flat Washer (52)

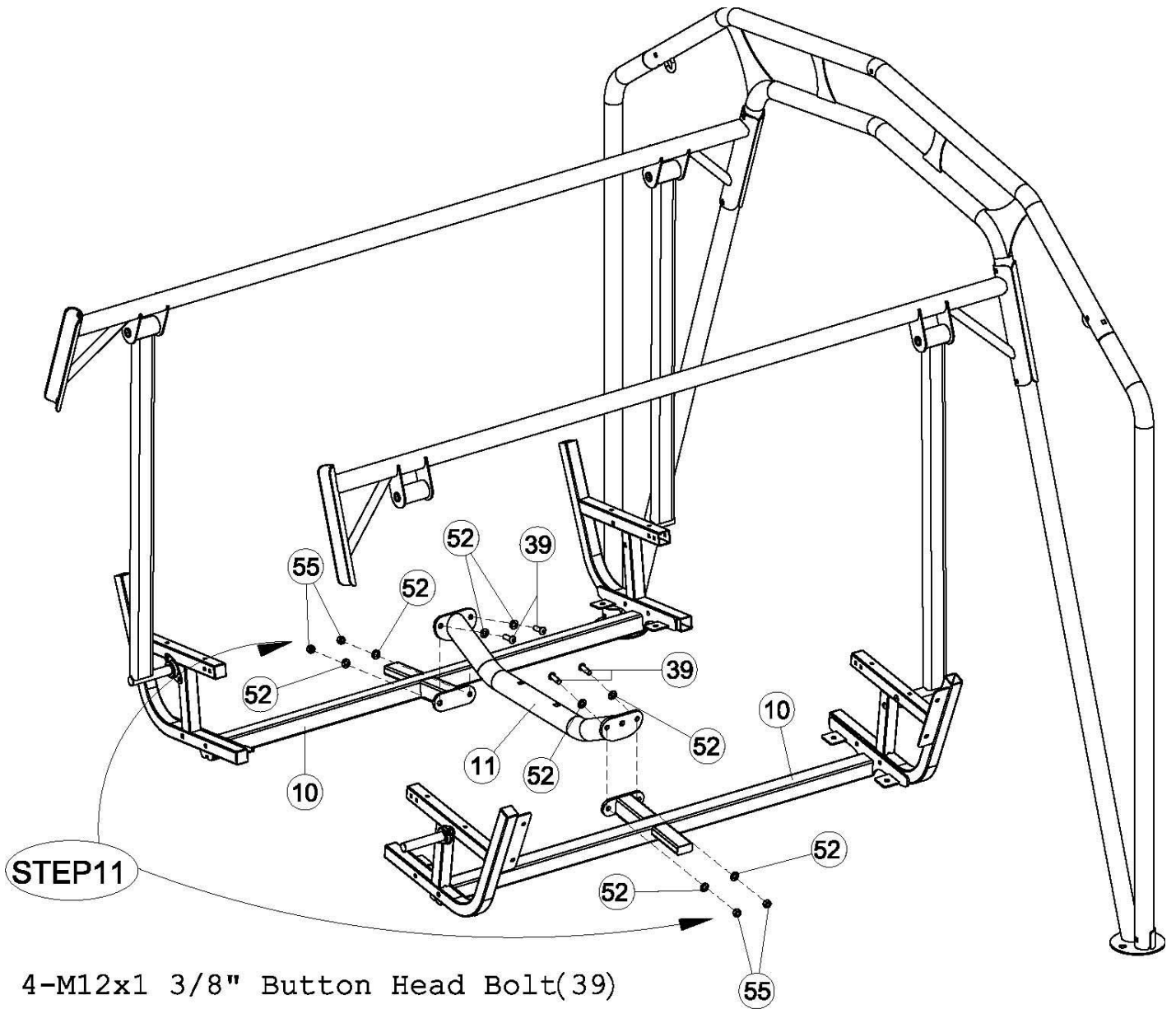
Complete Step 9 for both sides of the swing.

Tighten all hardware in Step 9 at this time.

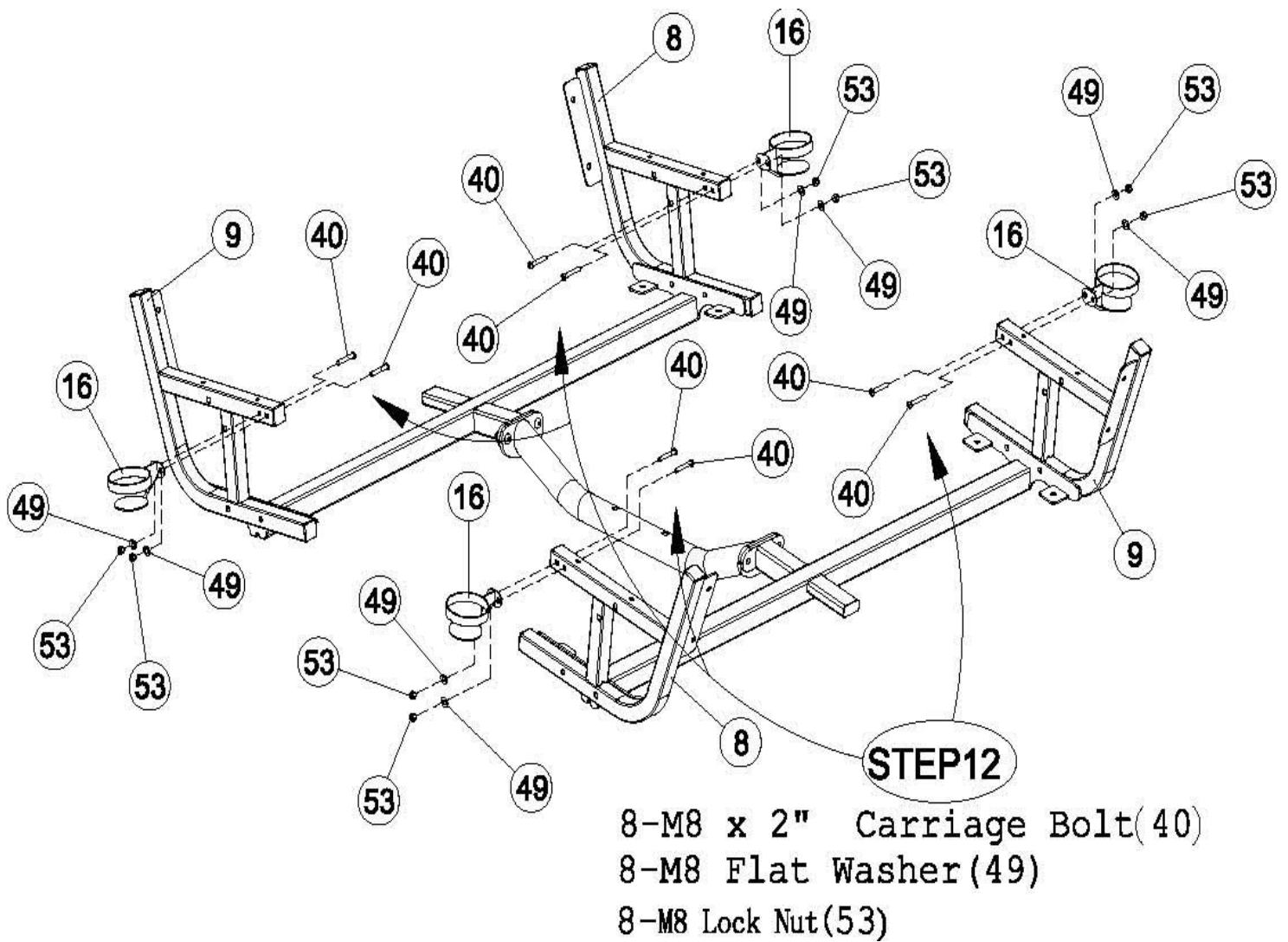
4-M10 x 2 1/4" Button Head Bolt(38)
8-M10 Flat Washer (51)
4-M10 Lock Nut (54)



Two people are required for Step 10.
Complete Step 10 for both sides of the swing.
Tighten all the hardware in Step 10 at this time.



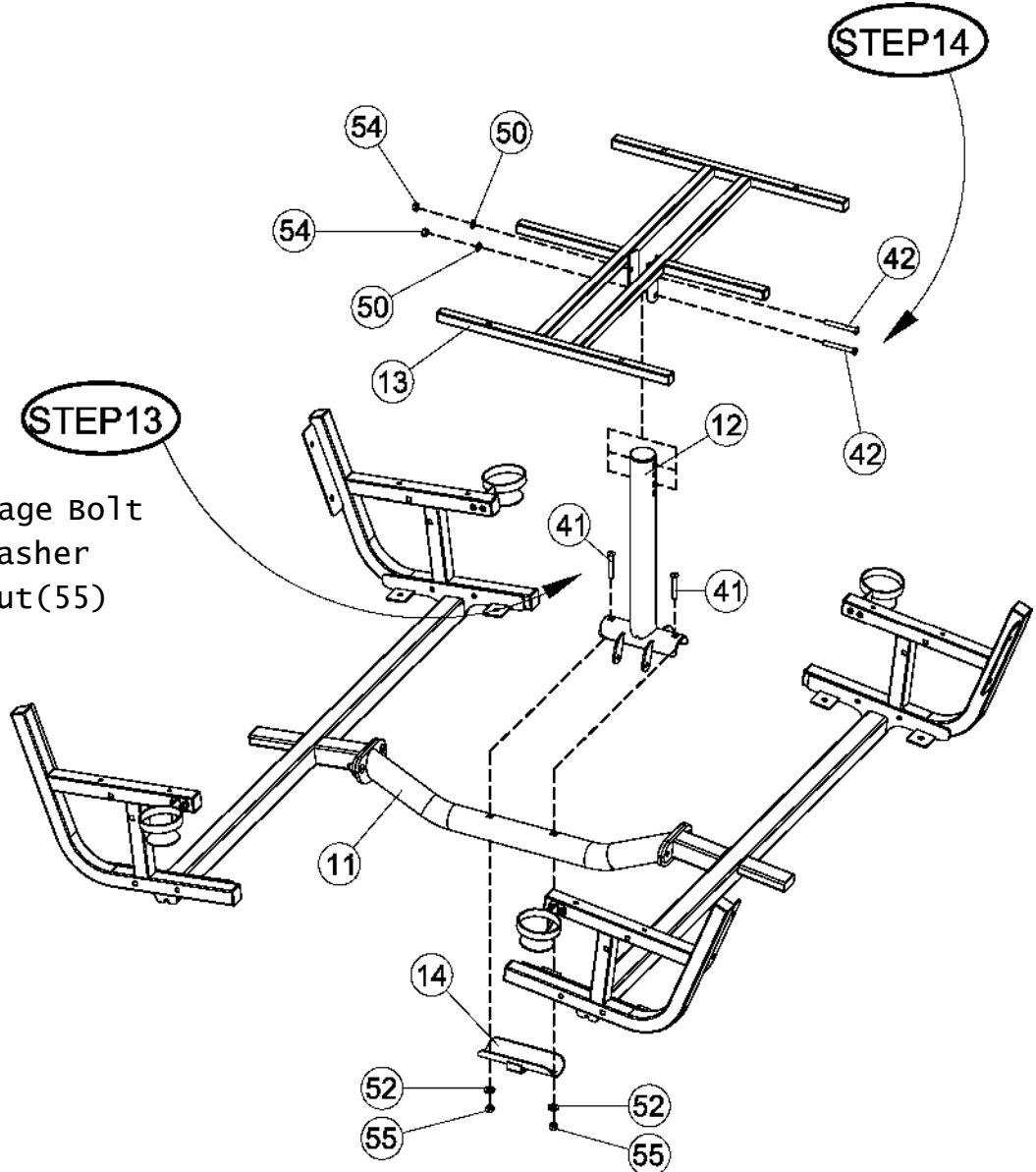
Tighten all the hardware in Step 11 at this time.



Tighten all the hardware in Step 12 at this time.

2-M10x3 1/8" Carriage Bolt(42)
2-M10 washer(50)
2-M10 Lock Nut(54)

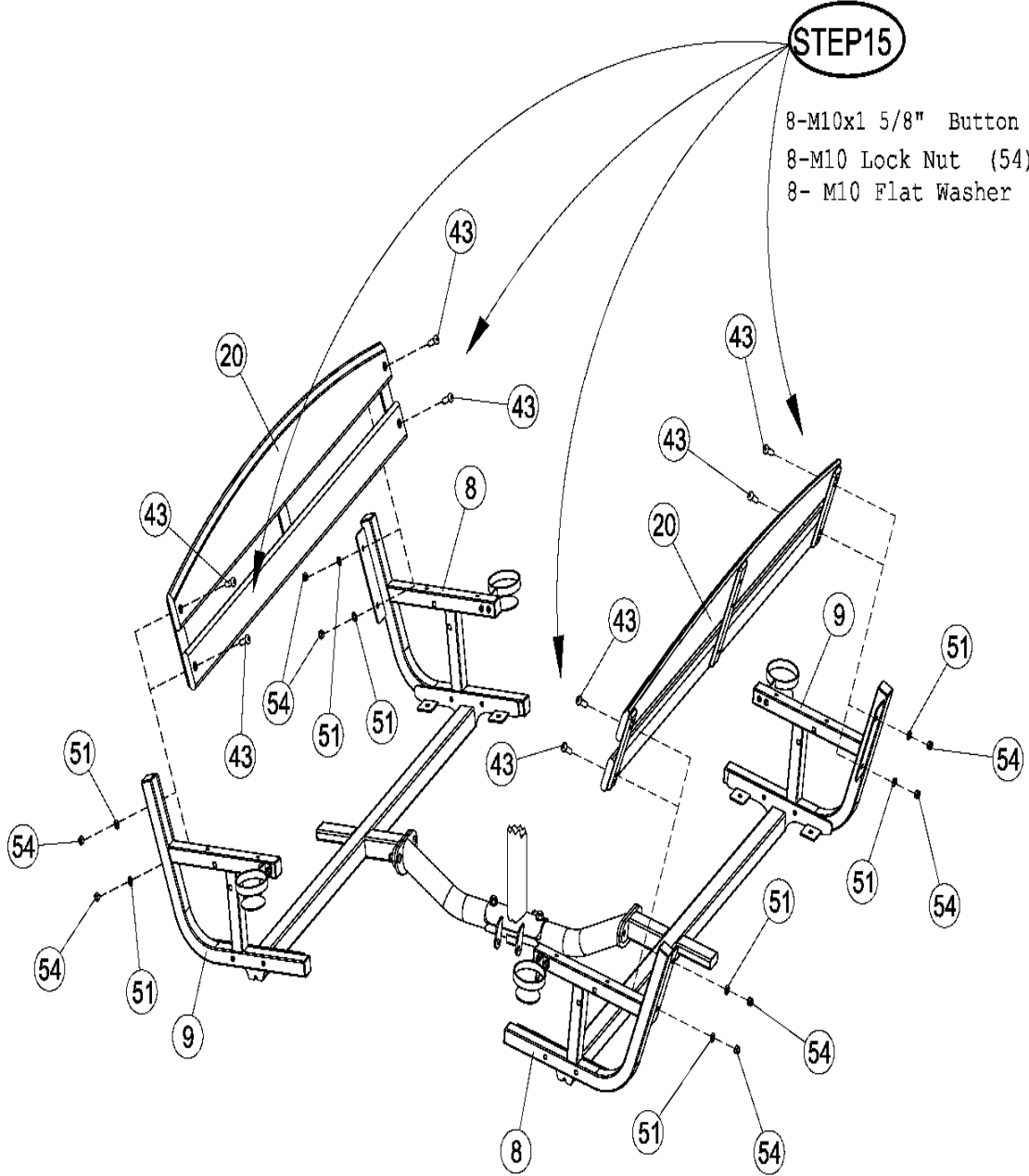
2-M12x3 3/8" Carriage Bolt
(41) 2-M12 Flat washer
(52) 2-M12 Lock Nut(55)



Tighten all the hardware in Step 13 and 14 at this time.

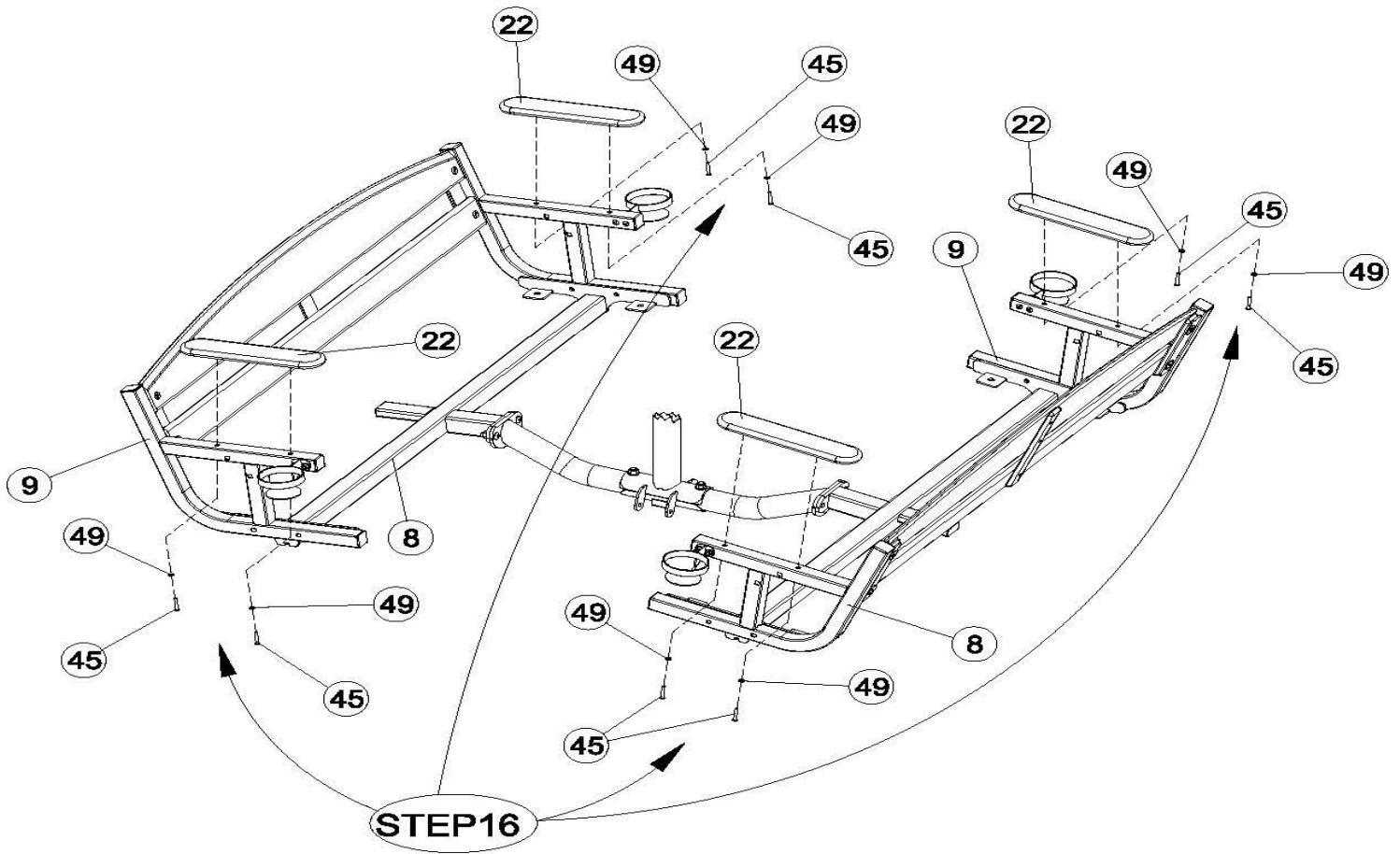
STEP 15

- 8-M10x1 5/8" Button Head Bolt (43)
- 8-M10 Lock Nut (54)
- 8- M10 Flat Washer (51)



Two people are required for Step 15

Tighten all the hardware in Step 15 at this time.



8-M8x2"Button Head Bolt (45)
8-M8 Flat Washer (49)

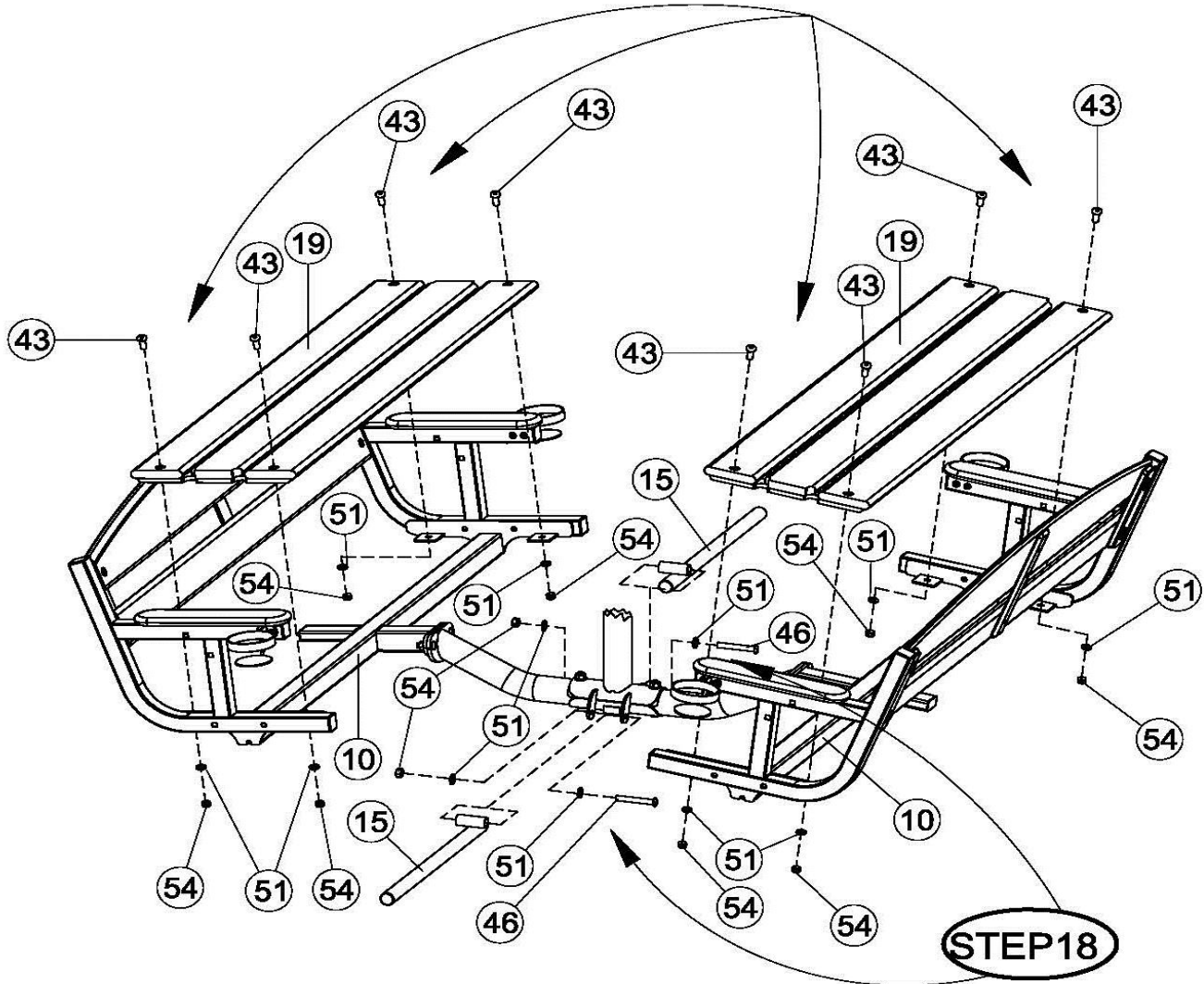
Tighten the Button Head Bolts to secure the wood arm rests to the frame but do not over tighten or damage may occur to the armrest wood.

STEP17

8-M10x1 5/8" Button Head Bolt (43)

8-M10 Lock Nut (54)

8-M10 Flat Washer (51)



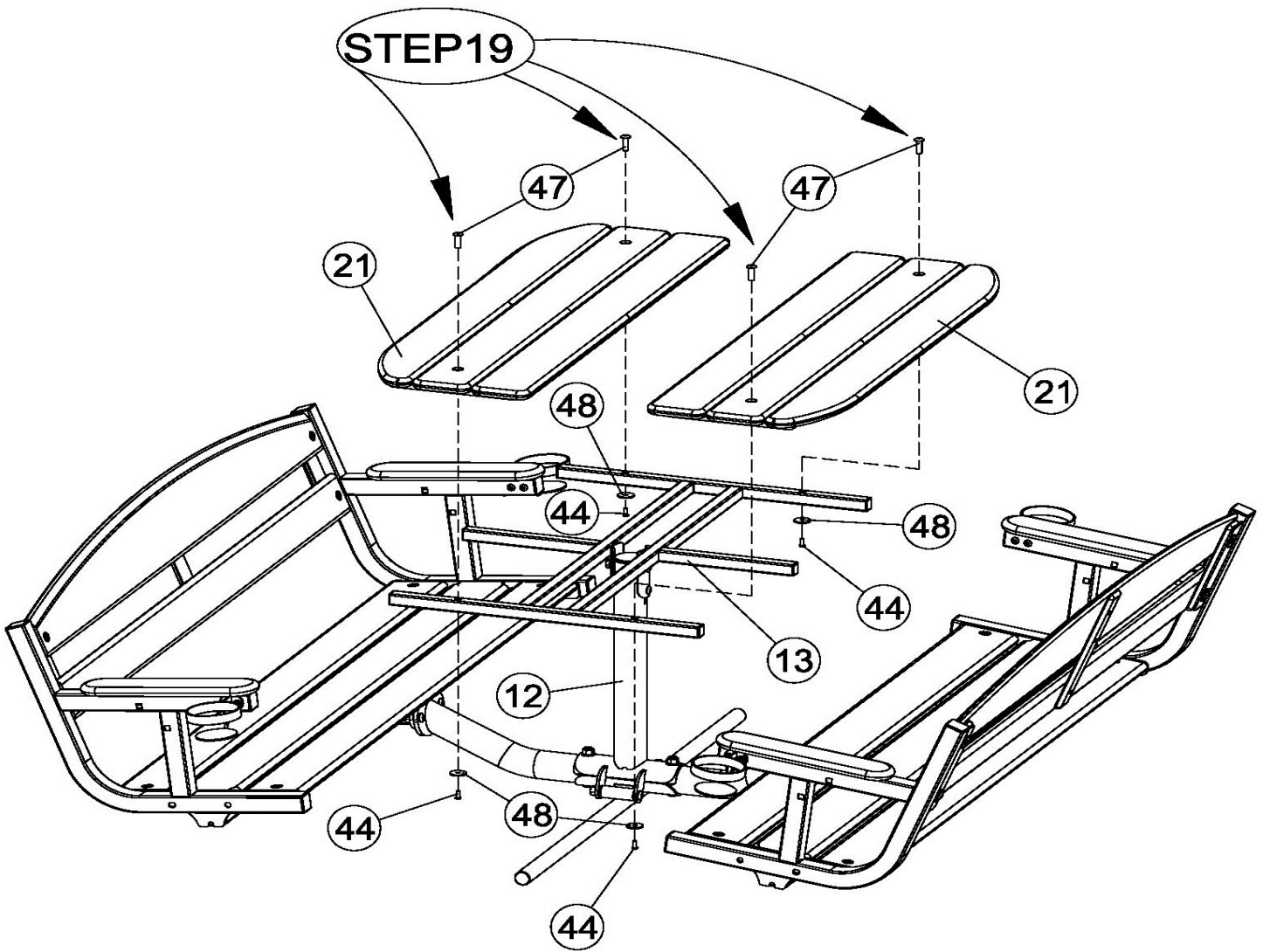
2-M10 x 3 5/8" Button Head Bolt(46)

4-M10 Flat Washer (51)

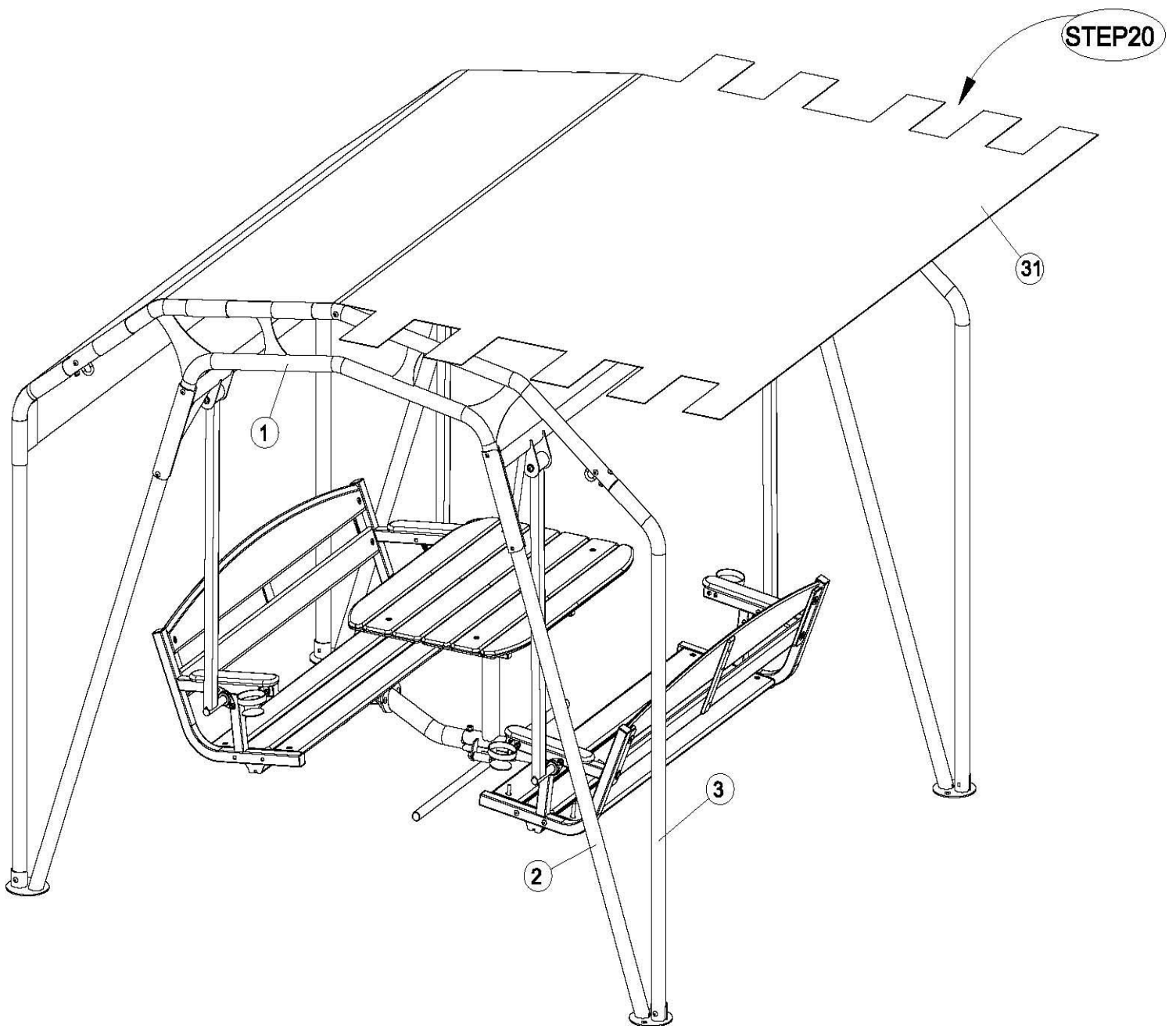
2-M10 Lock Nut (54)

Tighten all the hardware in Step 17 and 18 at this time. In Step 18 do not over tighten the hardware. The Foot Rests (15) need to be able to pivot up towards the Table Post (12) for the stowed position.

4-3/8"DIA x 1 1/2"
M6 x 3/4" NUT(47)
4-M6x5/8"Button Head Bolt(44)
4-M6 Flat Washer(48)



Tighten all the hardware in Step 19 at this time.



Secure the canopy to the swing frame as shown. Pull the canopy tight and ensure that the Velcro flaps are fully engaged to hold it in place.

460GN Swing Weekly Maintenance

Inspect and familiarize yourself with the safety warnings and other information that is posted on the decals located on the swing or in the owner's manual.

Inspect all fabric areas for tears and fabric seams for loose or damaged threads. Replace immediately if needed.

Inspect all the hardware for proper tightness, Retighten if needed.

Inspect the wood for weather cracking or fading. The wood is a natural product and there might be slight imperfections that are visible. During normal weathering the wood may crack slightly due to the changes in moisture. This is a natural occurrence and does not affect the structural integrity of your swing. The wood should be treated every 3 months, or as needed, with a wood preservative. See your local hardware retailer for suggestions for wood preservatives. Failure to properly protect the wood will void its warranty.

The canopy is not designed for high winds. If high winds are expected remove the canopy. Failure to follow these instructions can cause damage to the canopy and will void the warranty.

In freezing climates the canopy should be removed, folded and stored in a dry place before the first freeze or snow and until the last freeze or snow has passed. Failure to follow these instructions can cause damage to the canopy and will void the warranty.

Location of Swing: This swing should not be placed near the ocean or next to a swimming pool due to the harshness of the salt and chemicals in these environments.

Safety Information

CAUTION!

This 460GN swing is designed for adult use only

Ensure that the 460GN swing is set up on a firm level surface.

Make sure the 460GN swing has completely stopped before entering or exiting the swing. Be careful as the swing seat may shift while sitting down or getting up from the swing.

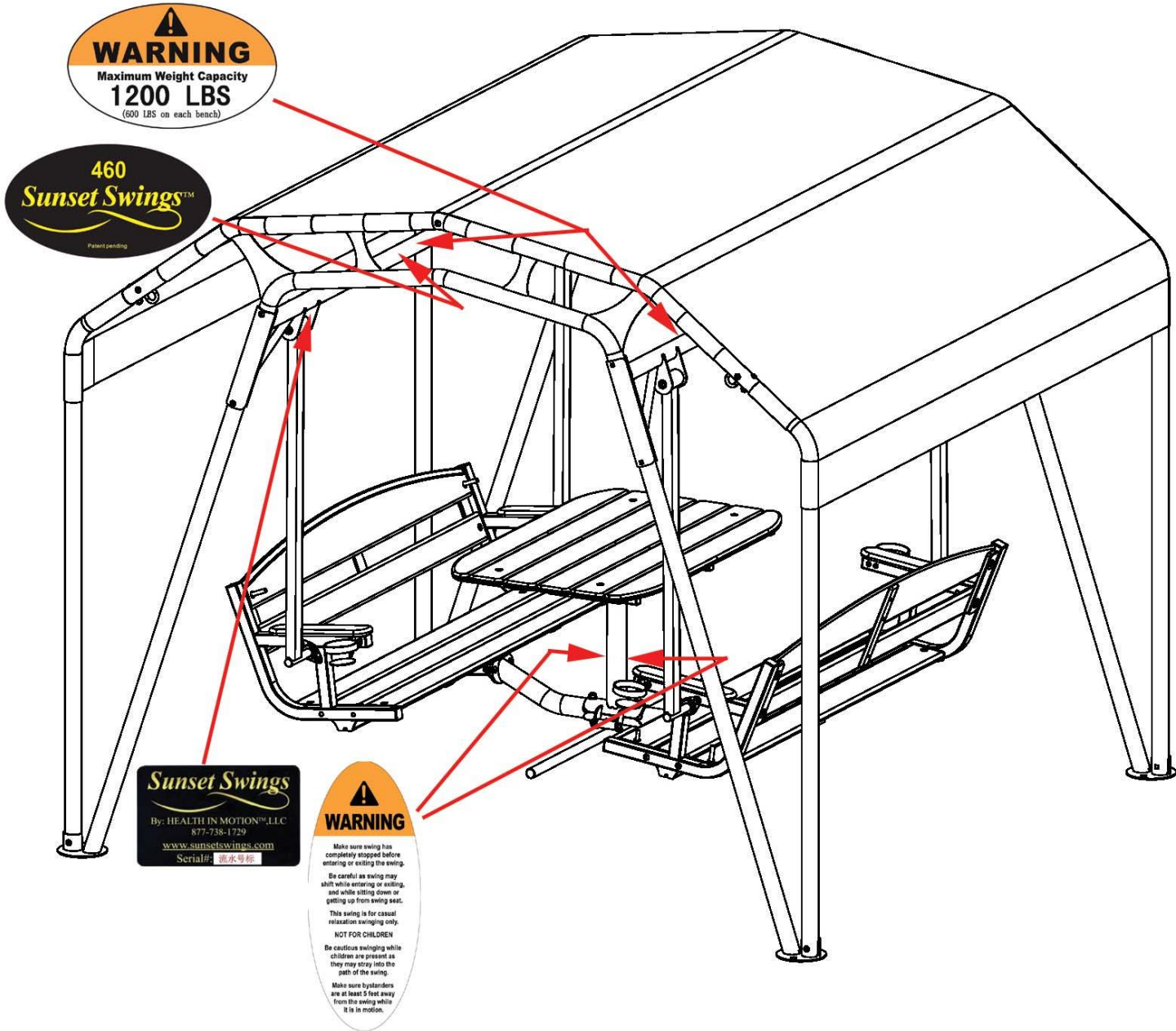
Keep all body parts within the swing seat while it is in motion.

Make sure bystanders are at least 5 feet away from the swing while it is in motion. Be careful placing the swing too close to a structure as severe injury might occur if a person gets caught between the structure and the swing or damage might occur if the swing hits the structure.

Be cautious swinging while children are present as they may stray into the path of the swing.

Review the maintenance schedule before each use to ensure the swing is in good working order.

**This swing is for casual relaxation swinging only.
Residential use only.**



Swing Label Locations

Sunset Swings

By Health In Motion LLC

LIMITED TEN YEAR WARRANTY

Sunset Swings warrants this product to the original purchaser to be free from defects in workmanship and/or materials under normal use. If at any time a component part is defective, *Sunset Swings* shall repair or replace it (at *Sunset Swings* option) within a reasonable period of time. This warranty does not cover costs of removal, transportation or reinstallation. This warranty shall not apply if damage is caused by misuse, improper maintenance or assembly, neglect or normal wear and tear. Starting from the original date of purchase, normal wear and tear shall be considered as the following: All failures of the rubber, fabric and wood that occur after 2 years, all failures of bearings, bushings, hardware or frame that occur after ten years. If the swing is located within 2000 feet of a salt water shore/waterway or 10 feet of a pool, warranties may be void. *Sunset Swings* sole responsibility shall be to repair or replace the component within the terms stated above. *Sunset Swings* shall not be liable for any loss or damage of any kind including any incidental or consequential damages resulting, directly or indirectly from any warranty expressed or implied or any other failure of this product.

WHAT IS NOT COVERED BY THIS WARRANTY

Sunset Swings sole obligation under this warranty is limited to either repair or replacement of parts, subject to the additions below. This warranty neither assumes nor authorizes any person to assume obligations other than expressly covered by this warranty.

NO CONSEQUENTIAL DAMAGES. *Sunset Swings* is not responsible for economic loss; profit loss; or special, indirect, or consequential damages.

WARRANTY IS NOT TRANSFERABLE. This warranty is not assignable and applies only in favor of the original purchaser/user to whom delivered. Any such assignment or transfer shall void the warranties herein made and shall void all warranties, express, implied or statutory. There are no warranties which extend beyond the description on the face hereof.

ALTERATION, NEGLIGENCE, ABUSE, MISUSE, NORMAL WEAR AND TEAR, ACCIDENT, DAMAGE DURING TRANSIT OR INSTALLATION, FIRE, FLOOD, ACTS OF GOD. *Sunset Swings* is not responsible for the repair or replacement of any parts that *Sunset Swings* determines have been subjected after the date of manufacture to alteration, neglect, abuse, misuse, normal wear and tear, accident, damage during transit or installation, fire, flood, or an ACT OF GOD.

TRANSPORTATION COSTS. *Sunset Swings* will accept parts covered under this warranty freight collect, provided that shipment has received prior approval. *Sunset Swings* is not responsible for any other transportation costs, but will ship freight collect parts either repaired or replaced under these warranties.

WARRANTY VALIDATION AND CLAIM PROCEDURE. To validate your warranty please complete the enclosed customer warranty registration card or go to www.sunsetswings.com and complete the online warranty registration.

All claims should include: model number, the serial number, proof of purchase, date of installation, and all pertinent information supporting the existence of the alleged defect. In some cases photos may be required to support the claim. Please call for pre-approval of shipment of warranty parts.

Sunset Swings

Health In Motion LLC
4945 East hunter Ave
Anaheim, CA 92807
(877) 738-1729
(714) 738-1728 fax