

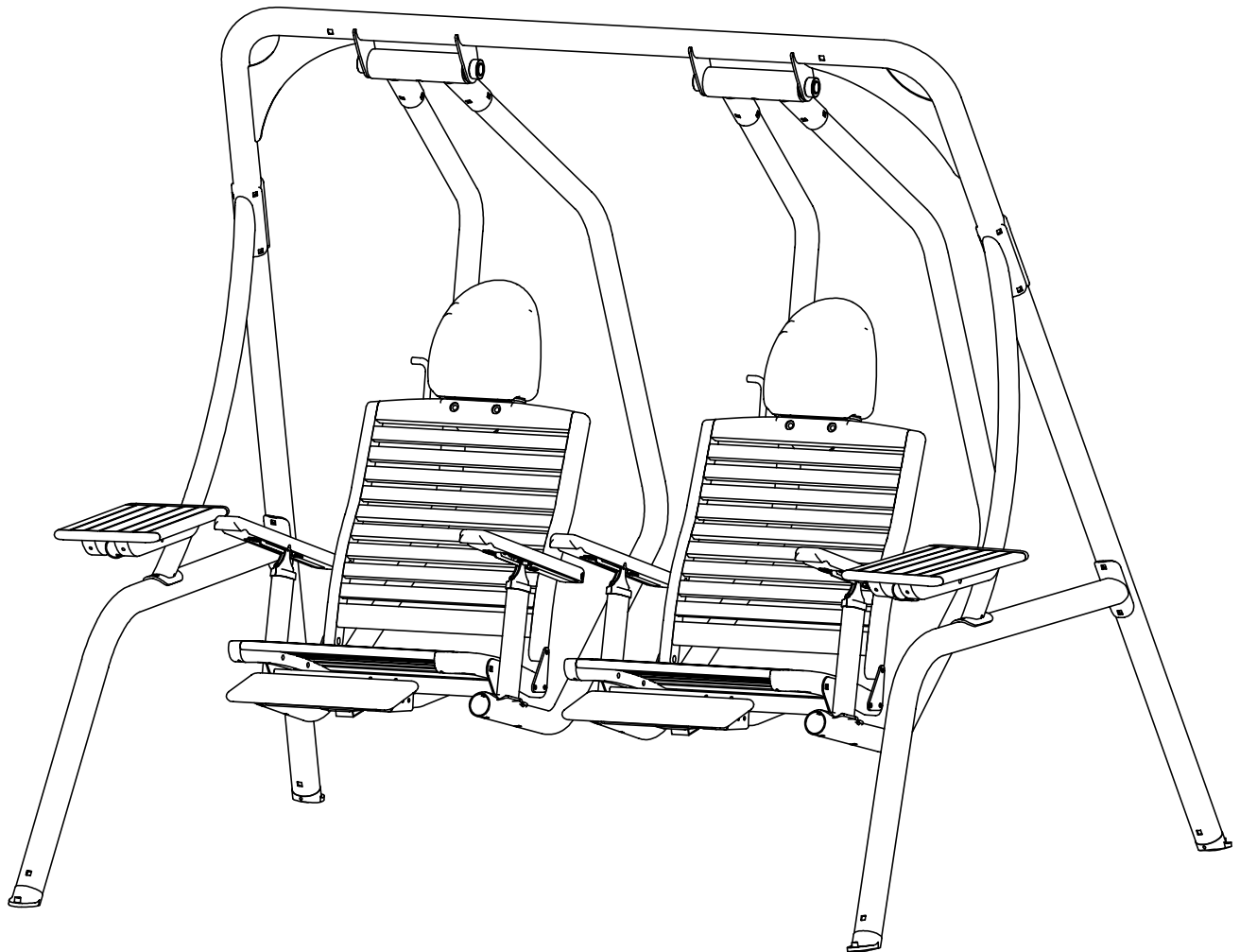
# *Sunset Swings*

## By Health In Motion

ASSEMBLY & OPERATION MANUAL

### **MODEL 422P**

### **DUAL RECLINER SWING**



RECORD SERIAL NUMBER HERE

# **422P OWNERS MANUAL**

## **READ! VERY IMPORTANT**

### **RESIDENTIAL USE ONLY, FOR ADULTS ONLY**

**Caution:** Make sure swing has completely stopped before entering or exiting the swing. Be careful as swing may shift while entering or exiting, and while sitting down or getting up from swing seat.

**This swing is for casual relaxation swinging only.**

**Make sure bystanders are at least 5 feet away from the swing while it is in motion.**

**Be cautious swinging while children are present as they may stray into the path of the swing.**

Before using, the swing must be anchored to the ground, patio or deck with the holes in the base plate. See your local hardware retailer for suggestions on fasteners or stakes for your particular support surface.

This swing is made from natural wood which may contain slight imperfections.

It is recommended that the wood on the benches be oiled every six months. See your local hardware retailer for suggestions on teak oils for the climate in your area.

In freezing climates, the canopy option should be removed, folded and stored in a dry place before the first freeze or snow, and until the last freeze or snow has passed.

The canopy option is not designed for high winds. If high winds are expected, please remove the canopy.

Thank you for choosing Sunset Swings. Please read the contents of this manual thoroughly. The information inside will help you in many different areas. *You will need to send in your customer registration card at the back of this manual to validate your warranty.*

Table of Contents

Positioning your swing.....3

Tools required for assembly.....3

Helpful installation hints.....3

Parts List.....4

Hardware List.....4

Hardware Sizing Chart.....5

Assembly Instructions.....6-15

General Maintenance Information.....16

Safety Tips.....16

Limited Warranty.....17

Warranty Claim Procedure.....17

**Sunset Swings** by Health In Motion LLC reserves the right to alter the specifications of this product at any time.

## Positioning Your Swing

1. The swing is designed to be installed on a level surface.
2. There should be a minimum clearance of four feet in front and back, and two feet on each side of your swing. It should be placed in an area where children will not stray or walk into the path of the swing.

## Tools required for assembly

1. 9/16" box wrench
2. 7/16" box wrench
3. 4 mm Allen wrench (included)
4. 3/8" socket wrench
5. 9/16" socket

## Helpful installation hints

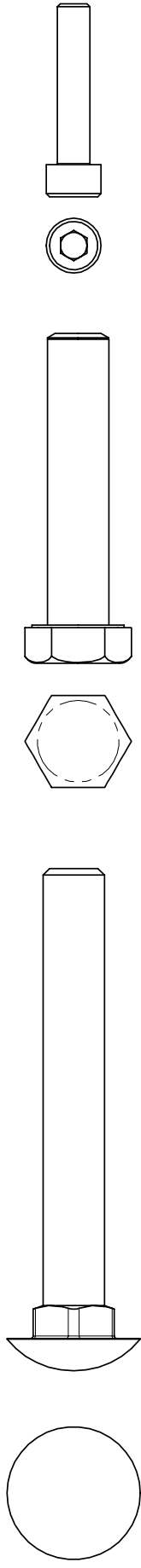
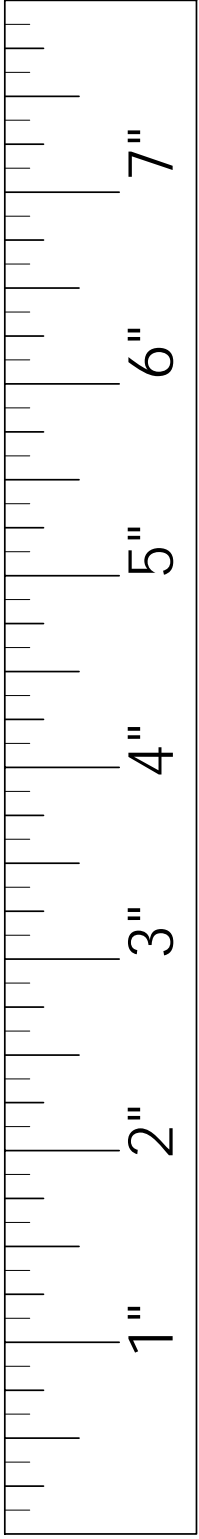
1. At least 2 people are required to assemble this swing. Some parts are large and heavy. Use care when handling.
2. Identify all of the parts for your swing. Empty the box and lay out the parts for identification using the Parts List.
3. Read all the way through the instructions completely before beginning the assembly.
4. Do not tighten hardware completely until instructed. It helps to have some adjustment for bolt alignment while you are connecting parts. Follow the tightening sequence as mentioned in the in steps. **After you have completed the assembly, recheck that all hardware is secure and tight.**

## Parts List

- 2.....Arc Brace
- 2.....Footrest Frame
- 2.....Footrest Pad
- 2.....Footrest Rubber End Cap
- 2.....Footrest Sleeve Left
- 2.....Footrest Sleeve Right
- 2.....Front Leg
- 2.....Headrest Assembly (pre-assembled)
- 2.....Rear Leg
- 4.....Seat Support Arm
- 2.....Seat Support Frame
- 4.....Swing Foot
- 1.....Top Beam
- 2.....Wood Seat Assembly (pre-assembled)
- 2.....Wood Table

## Hardware List

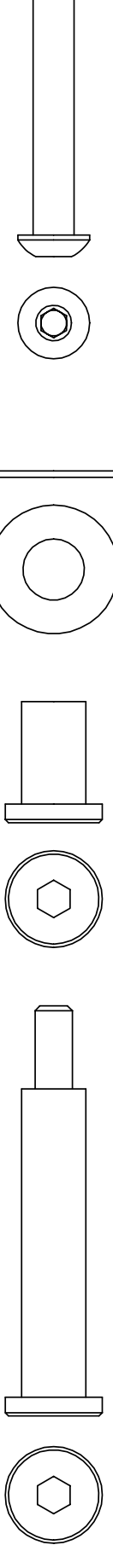
- 4.....M5 x 3/4" Socket Head Allen bolt
- 4.....1/4" x 1 3/8" Button Head bolt
- 2.....1/4" x 2 7/8" Button Head bolt
- 4.....3/8" x 3/4" Hex bolt
- 8.....3/8" x 2" Hex bolt
- 2.....3/8" x 4 3/4" Hex bolt
- 16.....3/8" x 2 3/4" Carriage bolt
- 6.....3/8" x 3" Carriage bolt
- 8.....3/8" x 3 1/4" Carriage bolt
- 8.....1/4" Flat Washers
- 65.....3/8" Flat Washers (Should have extras left over)
- 4.....3/8" Lock Washers
- 6.....1/4" Lock Nuts
- 41.....3/8" Lock Nuts (Should have 1 left over)
- 1.....4 mm Allen wrench



**3/8" DIA. Carriage Bolt**

**3/8" DIA. Hex Bolt**

**M5 Cap Screw**

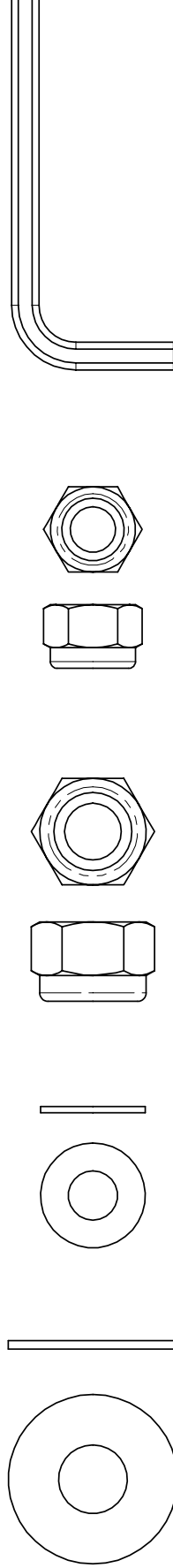


**Brass T-Bolt**

**Brass T-Nut**

**Brass Washer**

**1/4" DIA Button Head Screw**



**3/8" Washer**

**1/4" Washer**

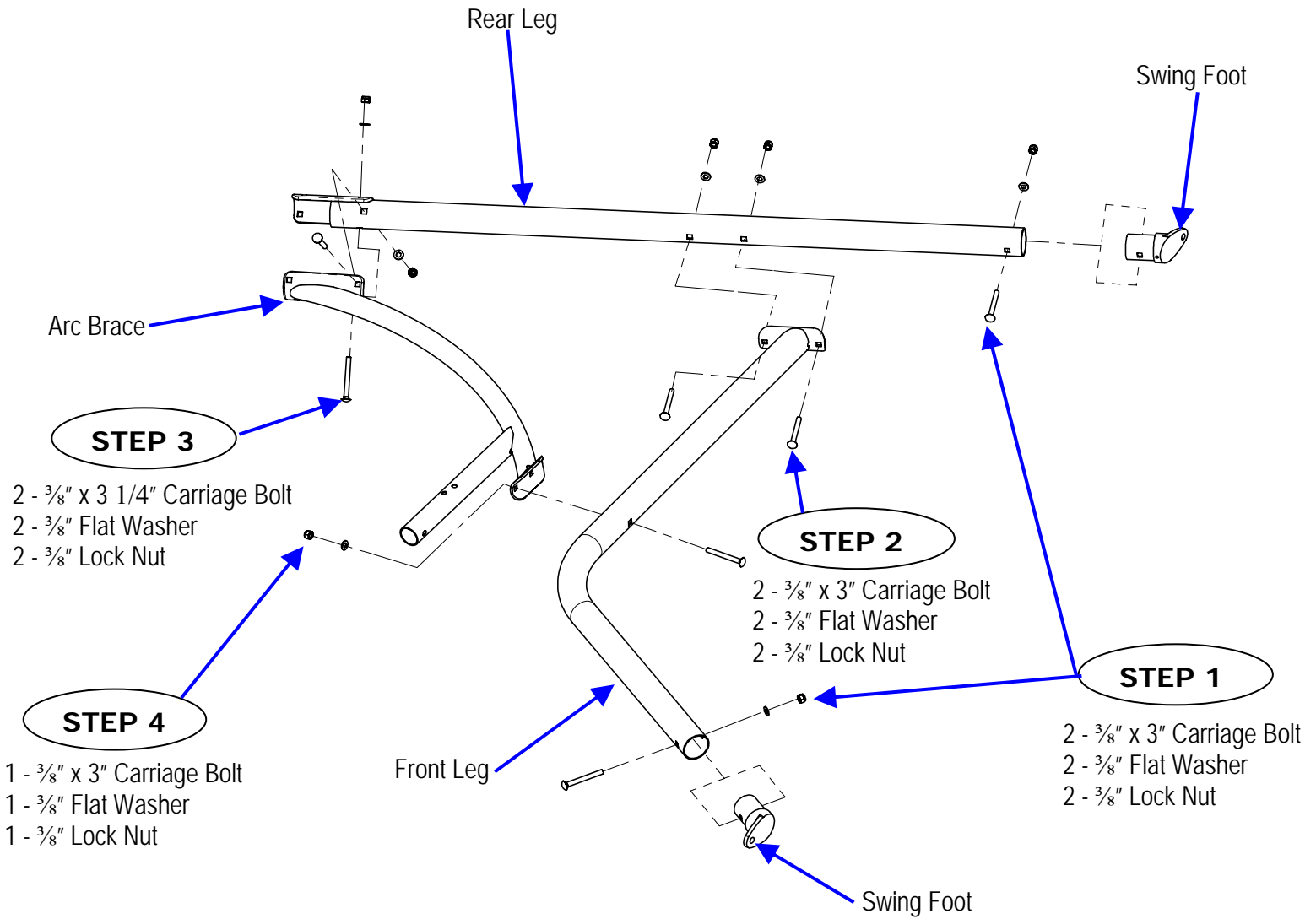
**3/8" Nut**

**1/4" Nut**

**Allen Wrench**

**ACTUAL PARTS MAY BE SMALLER OR LARGER THAN SHOWN**

# Assemble Side Uprights



Step 1: Attach Swing Foot to Front & Rear Leg using:

**Two ( $\frac{3}{8}$ " x 3" Carriage Bolt)  
 Two ( $\frac{3}{8}$ " Flat Washer)  
 Two ( $\frac{3}{8}$ " Lock Nut)**

Step 2: Attach Rear Leg to Front Leg using:

**Two ( $\frac{3}{8}$ " x 3" Carriage Bolt)  
 Two ( $\frac{3}{8}$ " Flat Washer)  
 Two ( $\frac{3}{8}$ " Lock Nut)**

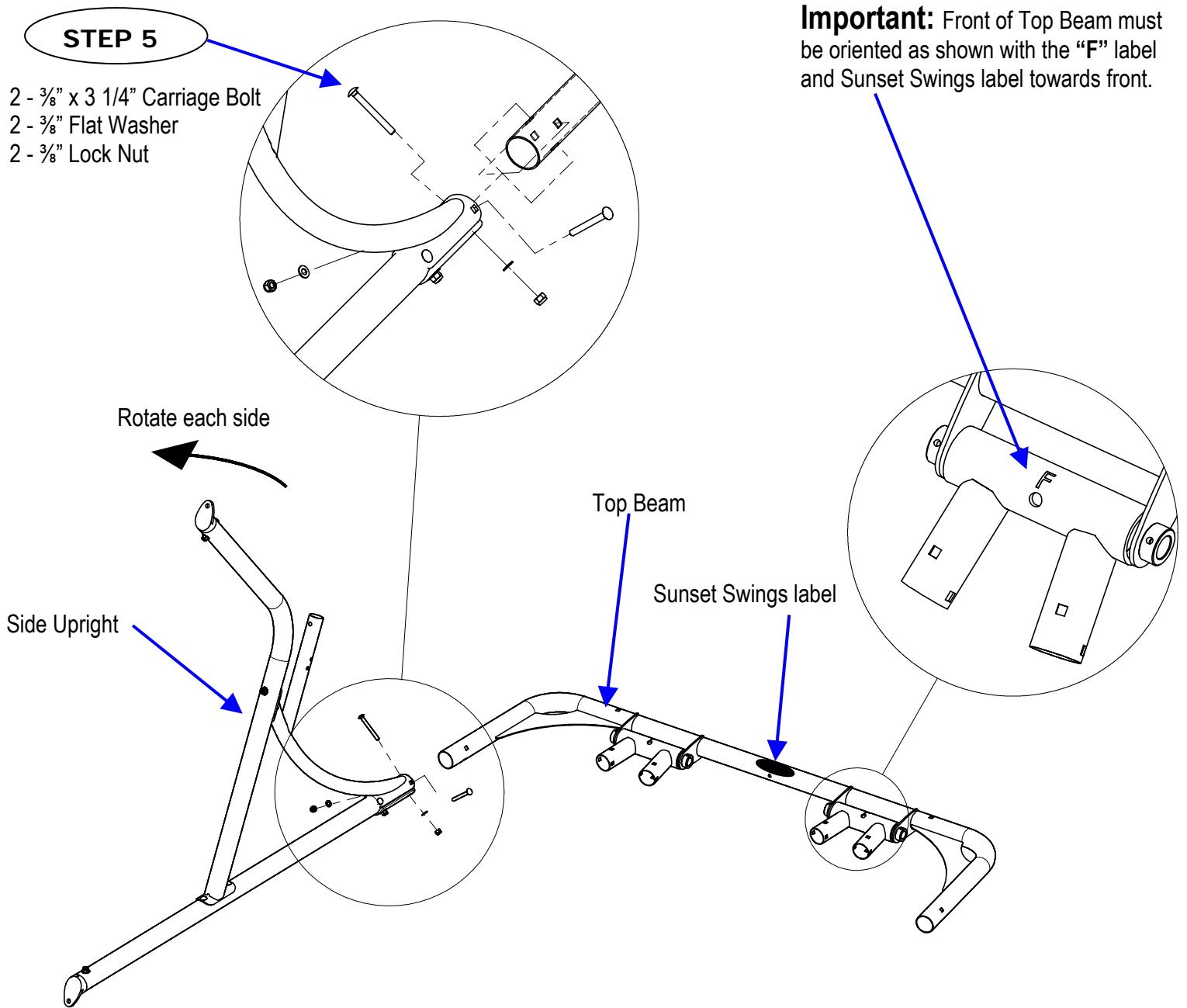
Step 3: Attach Arc Brace to Rear Leg using:

**Two ( $\frac{3}{8}$ " x 3 1/4" Carriage Bolt)  
 Two ( $\frac{3}{8}$ " Flat Washer)  
 Two ( $\frac{3}{8}$ " Lock Nut)**

Step 4: Attach Arc Brace to Front Leg using:

**One ( $\frac{3}{8}$ " x 3" Carriage Bolt)  
 One ( $\frac{3}{8}$ " Flat Washer)  
 One ( $\frac{3}{8}$ " Lock Nut)**

**Repeat steps 1 – 4 and assemble a second Side Upright**



**STEP 5**

- 2 -  $\frac{3}{8}$ " x 3  $\frac{1}{4}$ " Carriage Bolt
- 2 -  $\frac{3}{8}$ " Flat Washer
- 2 -  $\frac{3}{8}$ " Lock Nut

**Important:** Front of Top Beam must be oriented as shown with the "F" label and Sunset Swings label towards front.

Rotate each side

Side Upright

Top Beam

Sunset Swings label

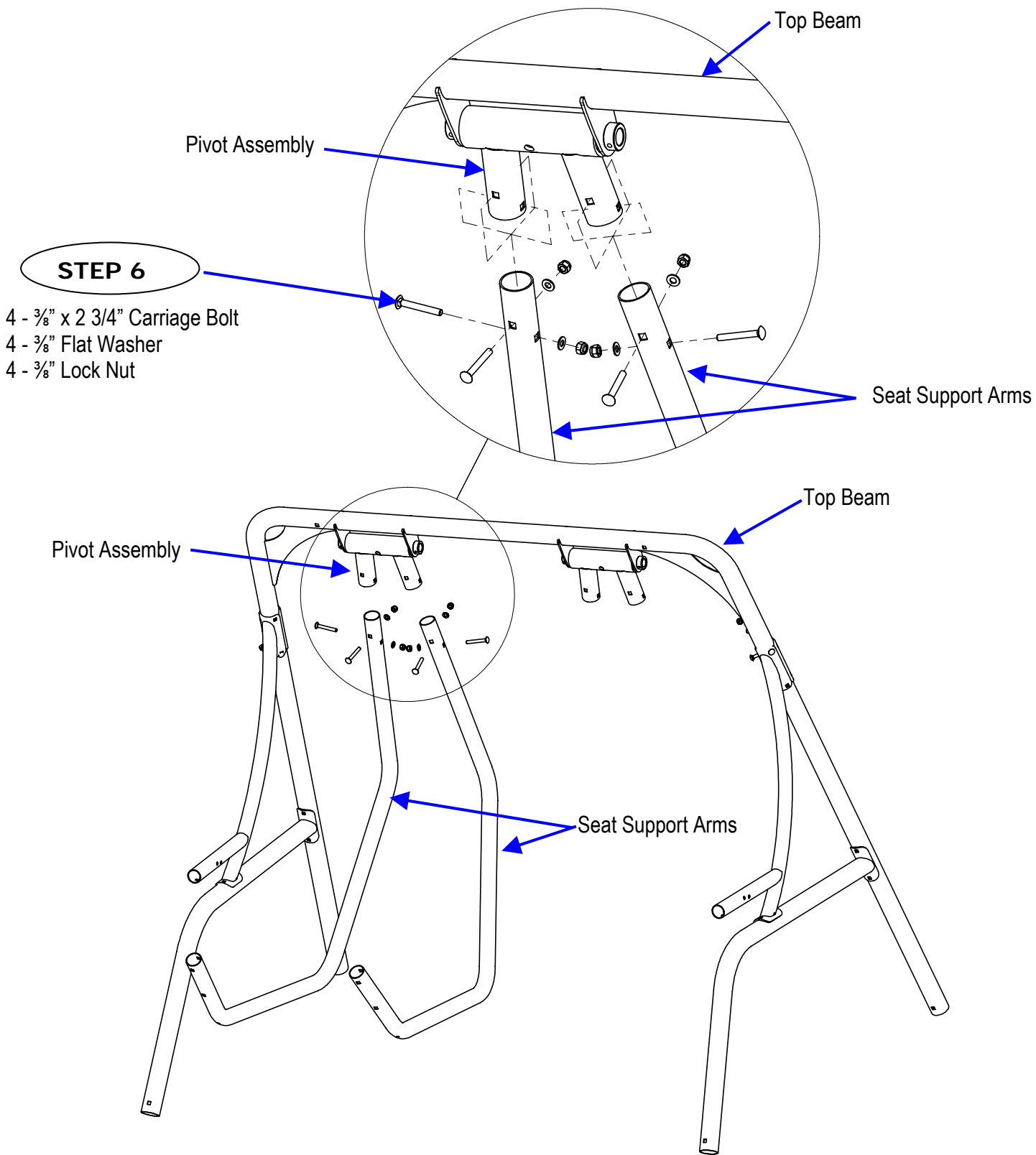
Step 5: Attach Side Upright to Top Beam using:

- Two ( $\frac{3}{8}$ " x 3  $\frac{1}{4}$ " Carriage Bolt)
- Two ( $\frac{3}{8}$ " Flat Washer)
- Two ( $\frac{3}{8}$ " Lock Nut)

**Repeat step 5 and attach the second Side Upright**

**Rotate each side upright outward until it stops and then wrench tighten all previous steps**



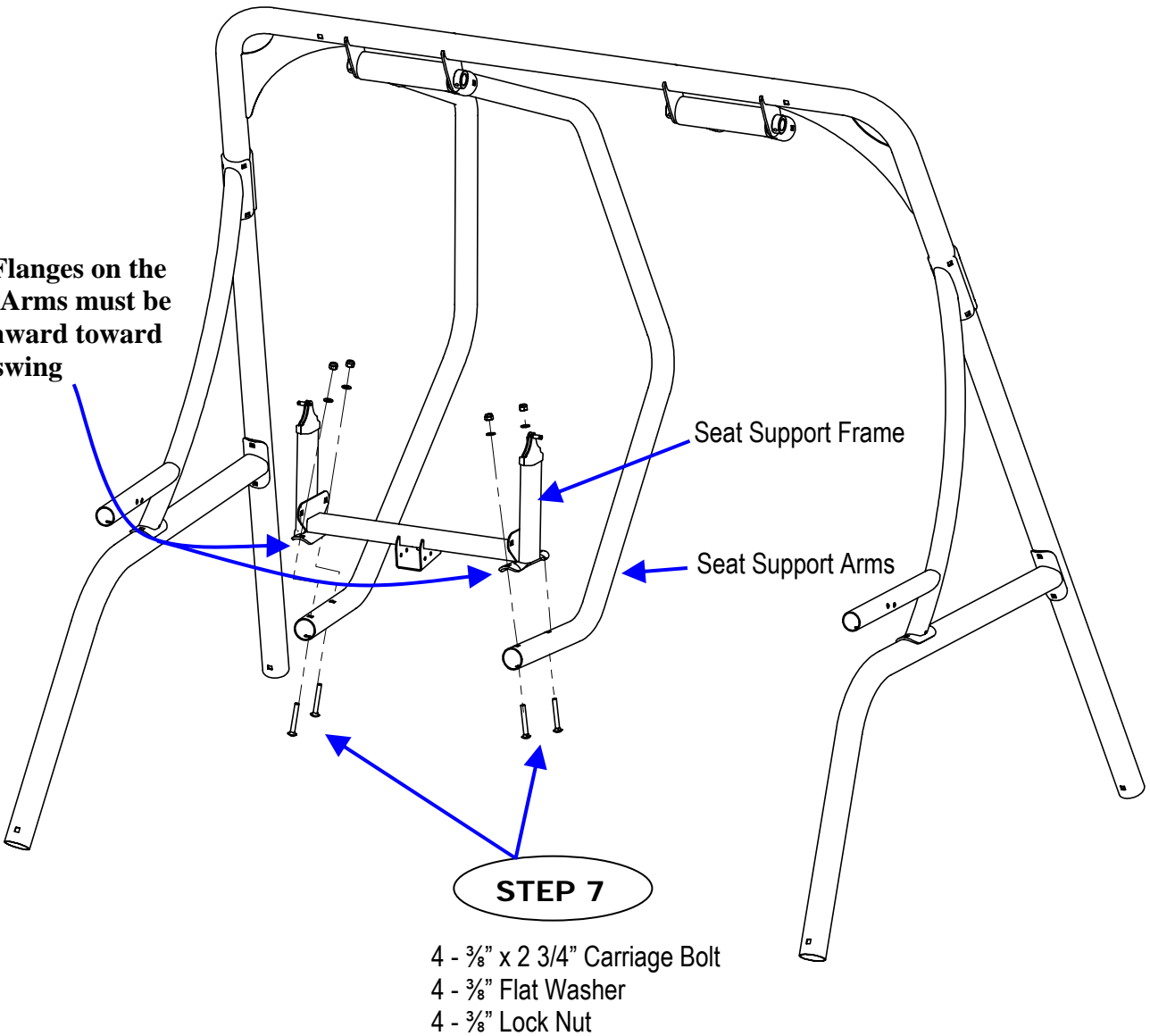


Step 6: Attach Seat Support Arms to the Pivot Assembly in Top Beam:

**Four ( $\frac{3}{8}$ " x 2  $\frac{3}{4}$ " Carriage Bolt)**  
**Four ( $\frac{3}{8}$ " Flat Washer)**  
**Four ( $\frac{3}{8}$ " Lock Nut)**

**Repeat step 6 for each set of Seat Support Arms**

**NOTE: Flanges on the Support Arms must be angled inward toward front of swing**

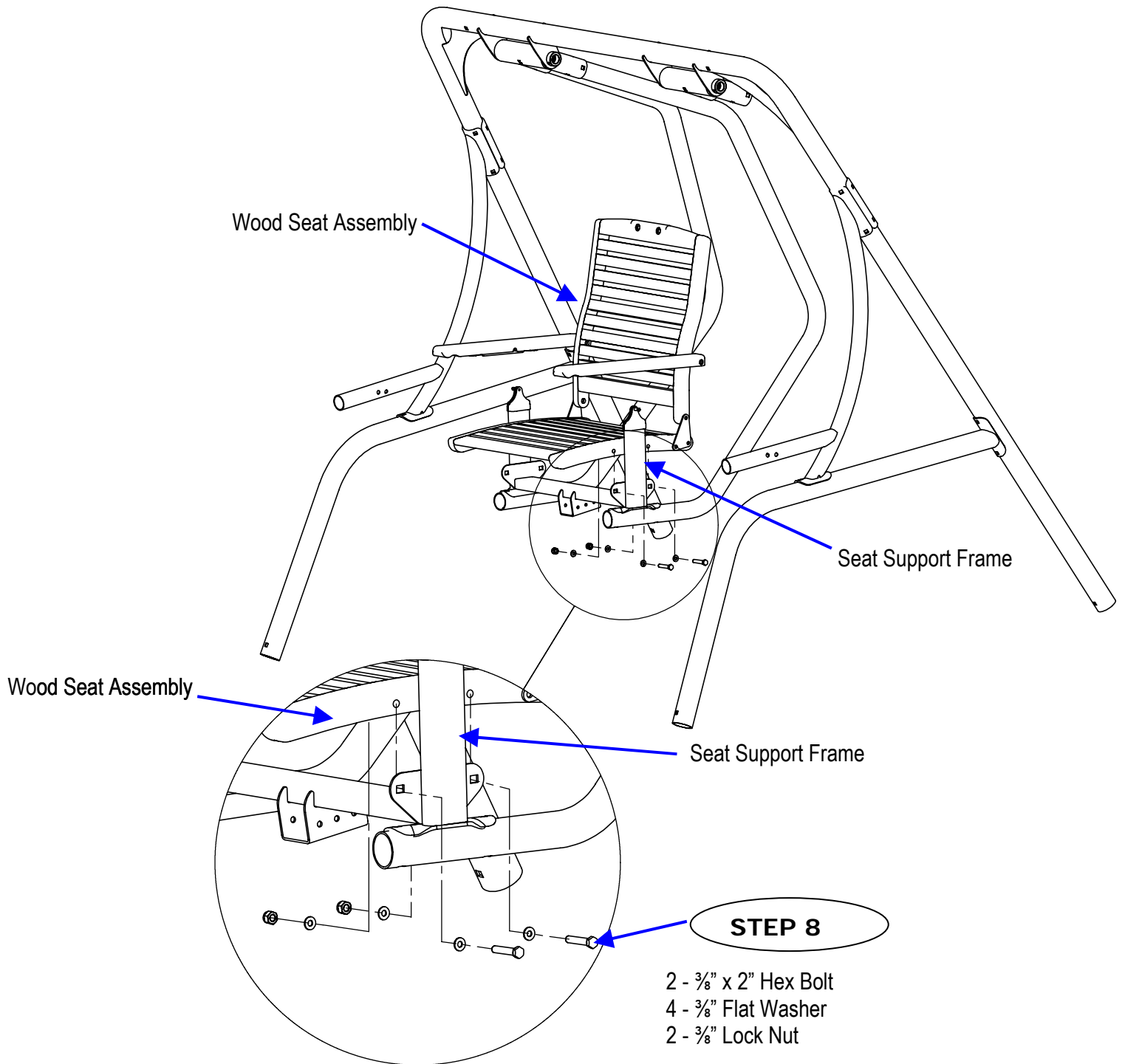


Step 7: Attach Seat Support Frame to Seat Support Arms using:

**Four ( $\frac{3}{8}$ " x 2  $\frac{3}{4}$ " Carriage Bolt)  
Four ( $\frac{3}{8}$ " Flat Washer)  
Four ( $\frac{3}{8}$ " Lock Nut)**

**Repeat step 7 and attach the second Seat Support Frame**

***Wrench tighten all previous steps***

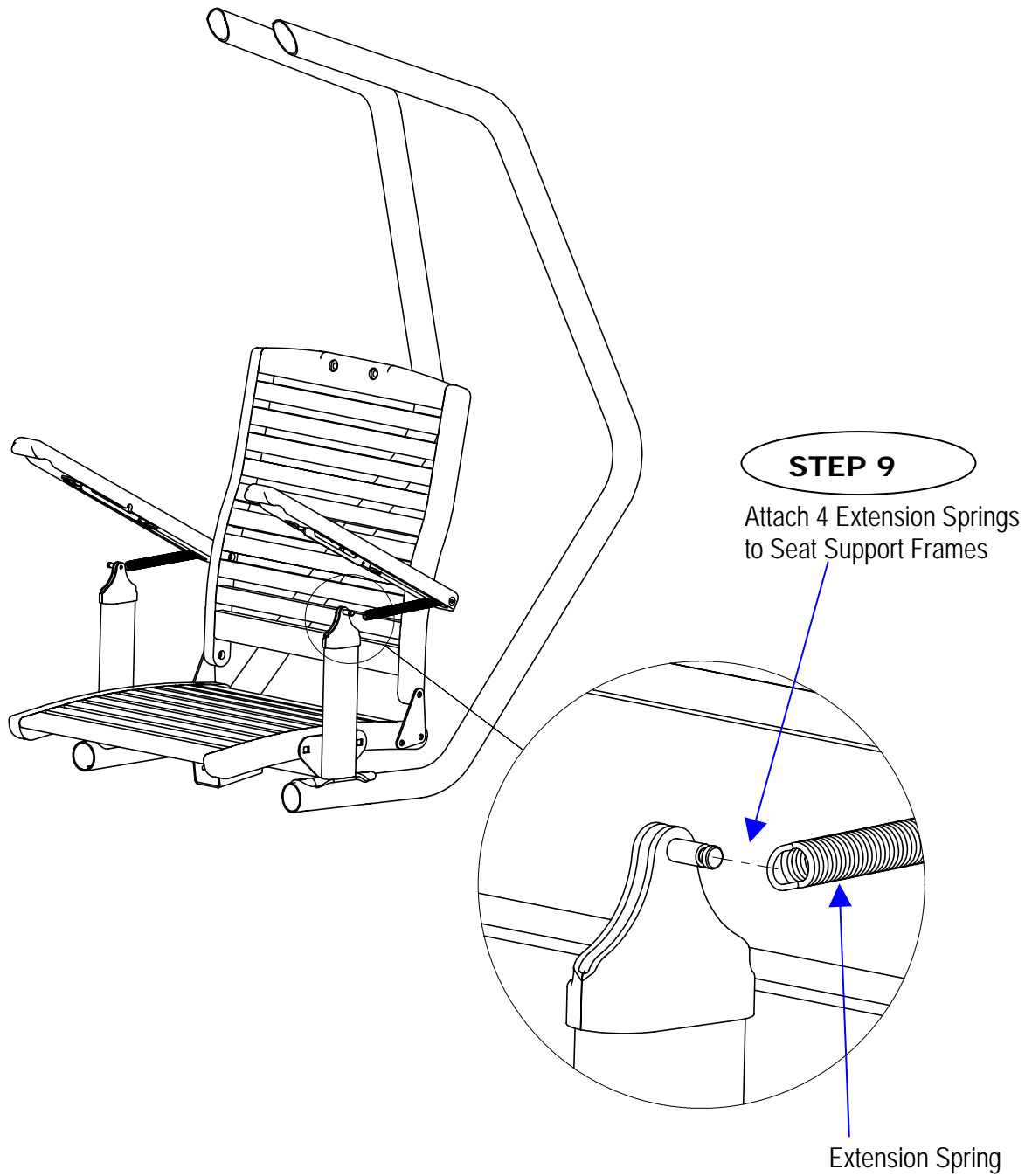


Step 8: Attach Wood Seat Assembly to Seat Support Frame using:

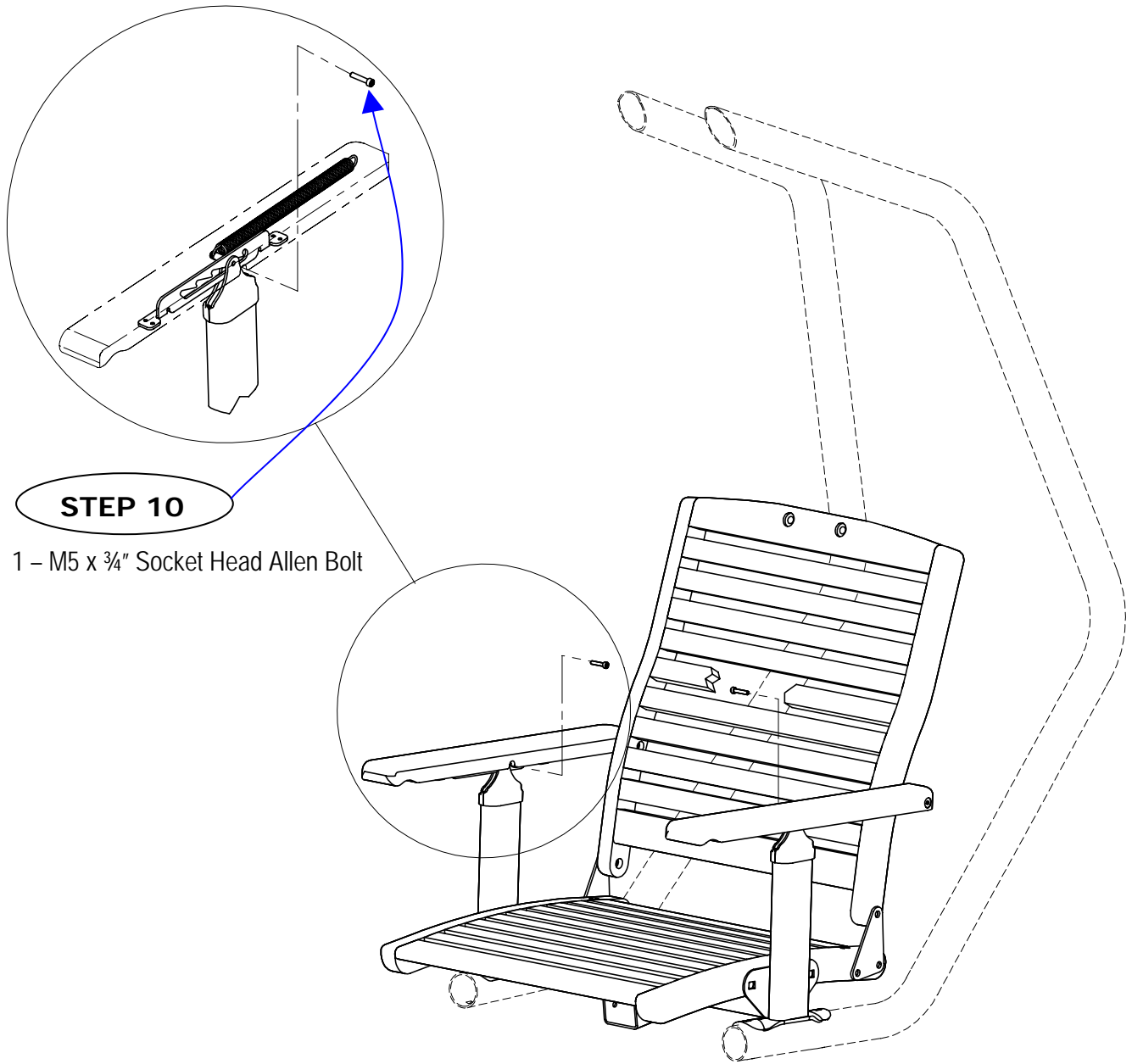
- Two (3/8" x 2" Hex Bolts)**
- Four (3/8" Flat Washers)**
- Two (3/8" Lock Nuts)**

**Repeat step 8 for each side of both Wood Seat Assemblies**

***Wrench tighten all bolts, but do not over tighten against wood.***



Step 9: Attach all 4 Extension Springs to Seat Support Frames as shown in enlarged view.



**STEP 10**

1 – M5 x ¾" Socket Head Allen Bolt

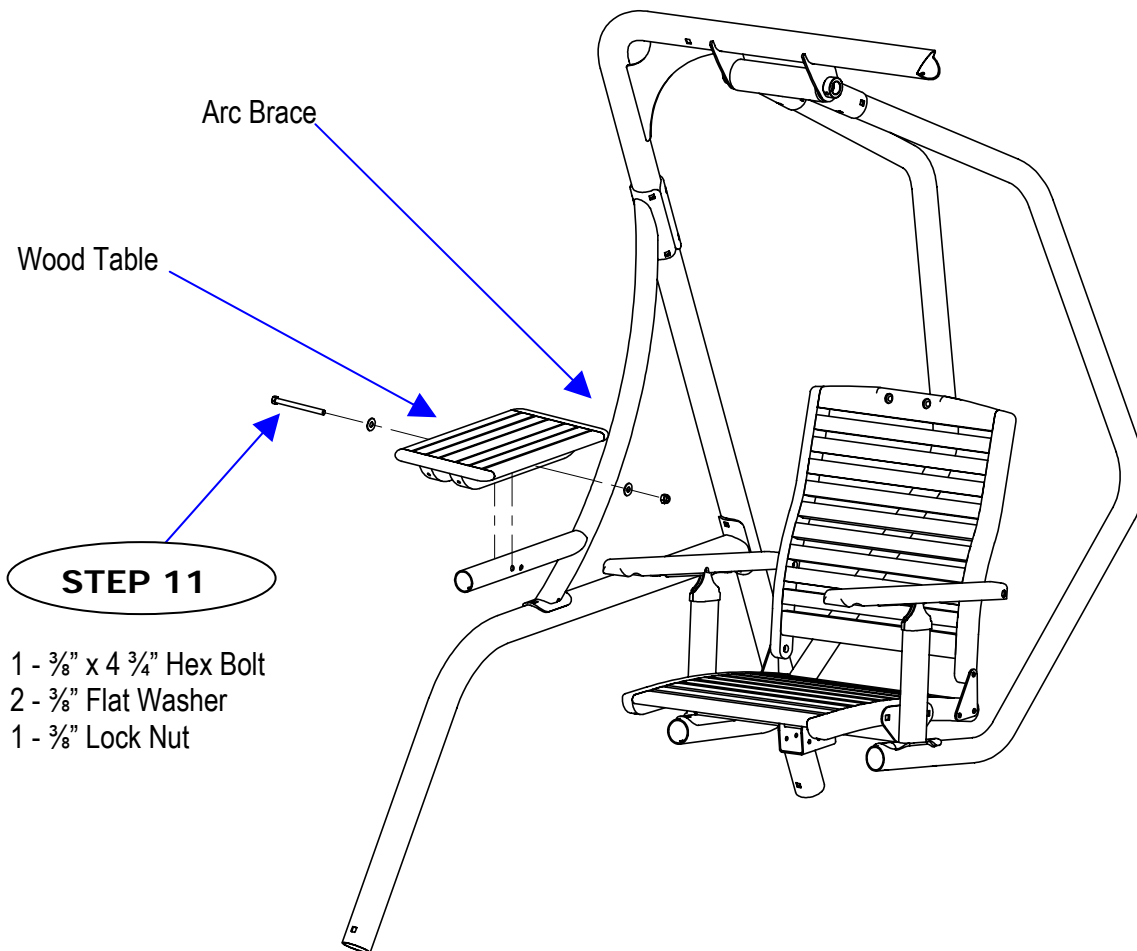
Step 10: Attach Wood Seat Arms to  
Seat Support Frame using:

**One (M5 x ¾" Socket Head Allen Bolt)**

**(Thread Socket Head Allen Bolt through Wood Seat Arm hole and Metal Ratchet into  
Seat Support Frame)**

**Repeat step 10 for all four Wood Seat Arms**

***Wrench tighten, but do not over tighten resulting in seat backs not reclining  
smoothly.***

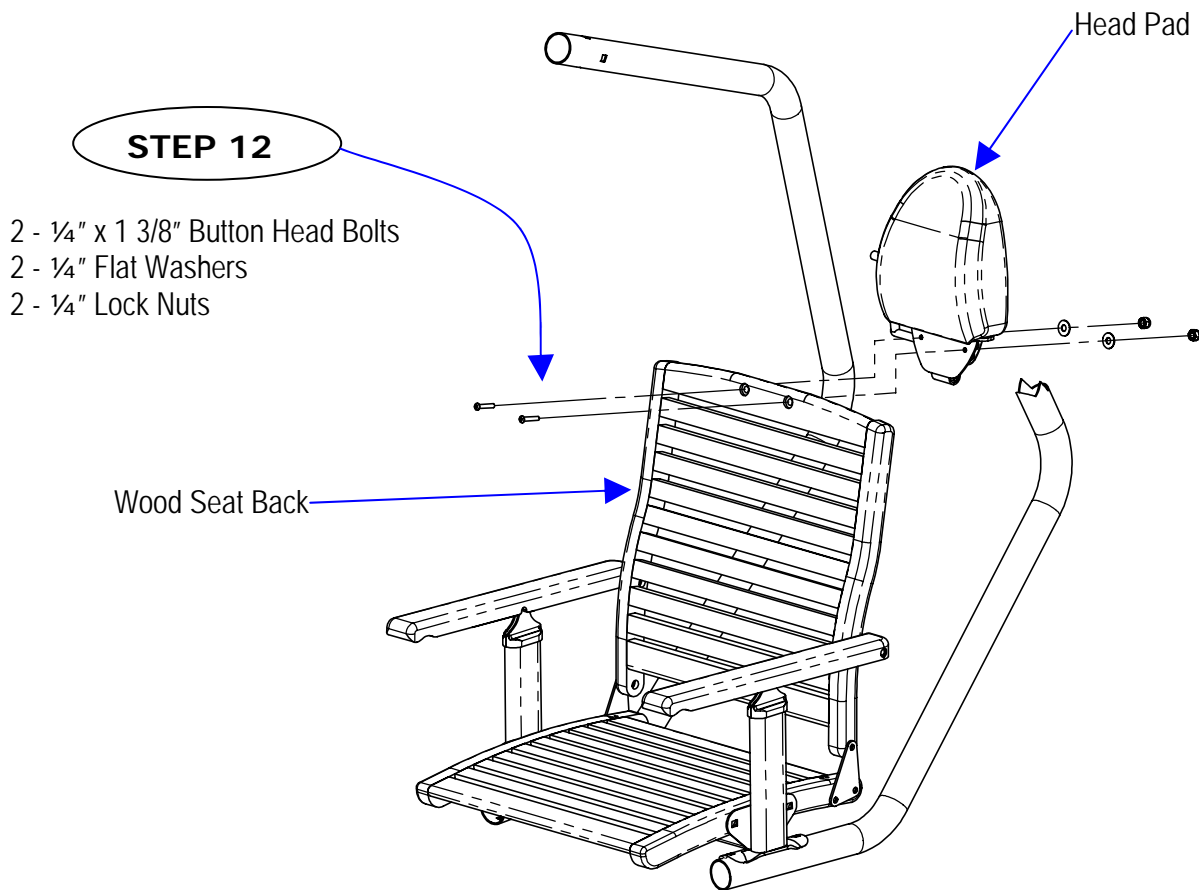


Step 11: Attach Wood Table to Arc Brace using:  
**(Make sure table is flat)**

**One ( $\frac{3}{8}$ " x 4  $\frac{3}{4}$ " Hex Bolt)**  
**Two ( $\frac{3}{8}$ " Flat Washer)**  
**One ( $\frac{3}{8}$ " Lock Nut)**

**Repeat step 11 and attach other Wood Table**

***Wrench tighten bolts, but do not over tighten against wood***

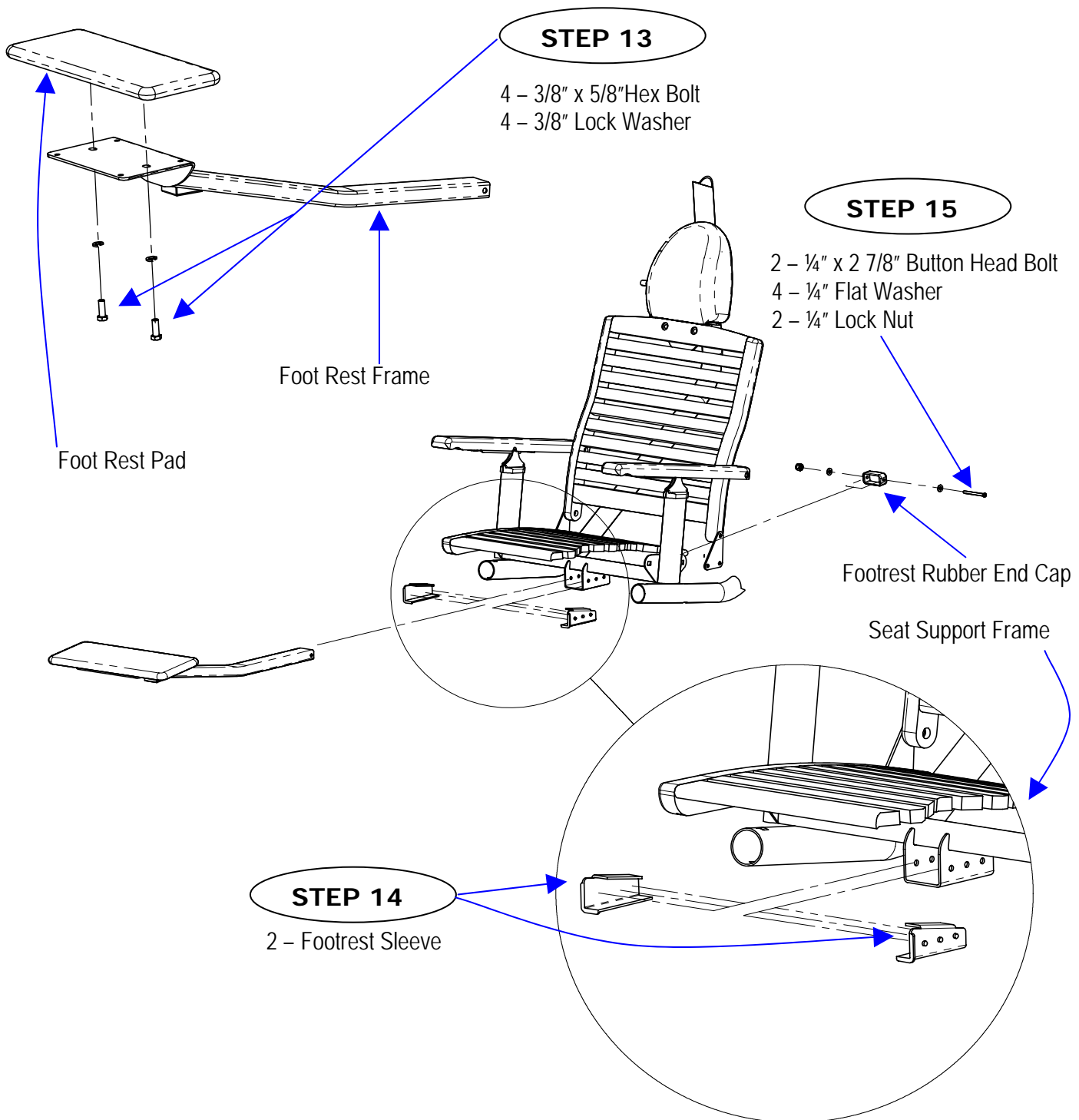


Step 12: Attach Headrest Assemblies to Wood Seat Backs using 4mm Allen wrenches and:

**Two (1/4" X 1 3/8" Button Head Bolts)**  
**Two (1/4" Flat Washers)**  
**Two (1/4" Lock Nuts)**

**Repeat step 12 and attach the second Headrest Assembly**

***Wrench tighten all bolts, but don't over tighten against wood.***



Step 13: Attach Foot Rest Pads to Footrest Frame using:

**Four (3/8" x 5/8" Hex Bolt)**  
**Four (3/8" Lock Washer)**

Step 14: Insert Footrest Sleeves into Seat Support Frames

Step 15: Insert Foot Rest Frames into Footrest Sleeves and attach Footrest Rubber End Caps using:

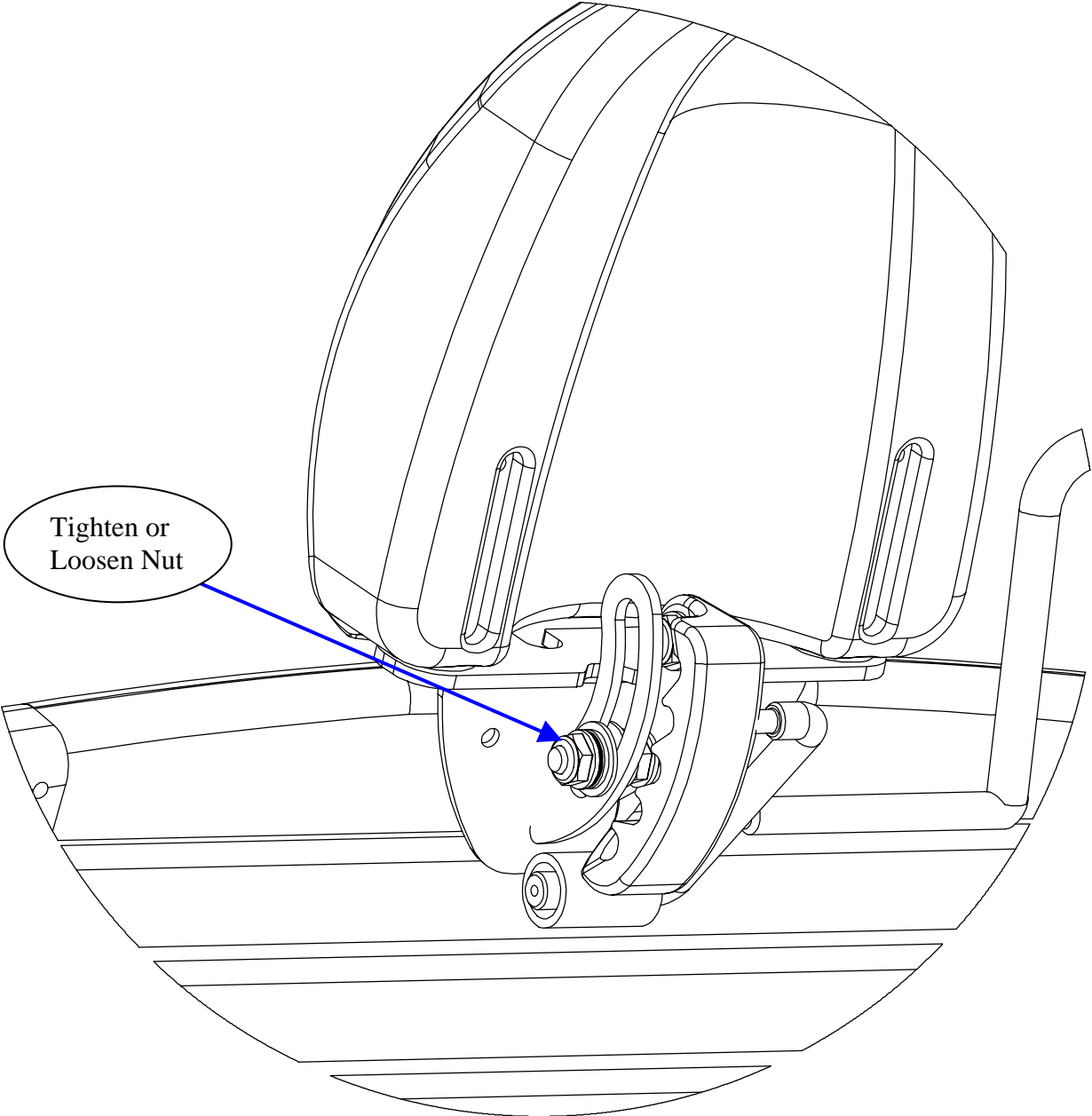
**Two (1/4" x 2 7/8" Button Head Bolt)**  
**Four (1/4" Flat Washer)**  
**Two (1/4" Lock Nut)**

***Wrench tighten all previous steps***



# Adjustments

If headrest rotates too easily or hard, adjust headrest resistance by tightening nut to increase resistance and loosening nut to decrease resistance.



## **GENERAL MAINTENANCE INFORMATION**

**Wood:** Every six months apply teak oil to all areas of the wood top and bottom.

**Canopy:** In freezing climates, the canopy option should be removed, folded and stored in a dry place before the first freeze or snow, and until the last freeze or snow has passed.

The canopy option is not designed for high winds. If high winds are expected, please remove the canopy fabric.

**Nuts and Bolts:** Inspect all nuts and bolts for any loosening and tighten if needed.

Go through a re-tightening sequence periodically to ensure that all hardware is tensioned properly.

**Decals:** Inspect and familiarize yourself with any safety warnings or other user information posted on each decal.

## **SAFETY TIPS**

**Make sure swing has completely stopped before entering or exiting the swing. Be careful as swing may shift while entering or exiting, and while sitting down or getting up from swing seat.**

**This swing is for casual relaxation swinging only.**

**Make sure bystanders are at least 5 feet away from the swing while it is in motion.**

**Be cautious swinging while children are present as they may stray into the path of the swing.**

**PLEASE KEEP THIS FOR YOUR RECORDS**

# *Sunset Swings*

By Health In Motion LLC

## **LIMITED TEN YEAR WARRANTY**

*Sunset Swings* warrants this product to the original purchaser to be free from defects in workmanship and/or materials under normal use. If at any time a component part is defective, *Sunset Swings* shall repair or replace it (at *Sunset Swings* option) within a reasonable period of time. This warranty does not cover costs of removal, transportation or reinstallation. This warranty shall not apply if the defect was caused by misuse, neglect or normal wear and tear. Starting from the original date of purchase, normal wear and tear shall be considered as the following: All malfunctions of the rubber, foam and polyester fabric that occur after 90 days, all malfunctions of acrylic canopy fabric that occurs after 3 years, all malfunctions of wood, bearings, bushings or hardware that occur after ten years. The powder coated frame and all welded components are warranted for ten years. *Sunset Swings* sole responsibility shall be to repair or replace the component within the terms stated above. *Sunset Swings* shall not be liable for any loss or damage of any kind including any incidental or consequential damages resulting, directly or indirectly from any warranty expressed or implied or any other failure of this product.

### **WHAT IS NOT COVERED BY THIS WARRANTY**

*Sunset Swings* sole obligation under this warranty is limited to either repair or replacement of parts, subject to the additions below. This warranty neither assumes nor authorizes any person to assume obligations other than expressly covered by this warranty.

**NO CONSEQUENTIAL DAMAGES.** *Sunset Swings* is not responsible for economic loss; profit loss; or special, indirect, or consequential damages.

**WARRANTY IS NOT TRANSFERABLE.** This warranty is not assignable and applies only in favor of the original purchaser/user to whom delivered. Any such assignment or transfer shall void the warranties herein made and shall void all warranties, express, implied or statutory. There are no warranties which extend beyond the description on the face hereof.

**ALTERATION, NEGLIGENCE, ABUSE, MISUSE, NORMAL WEAR AND TEAR, ACCIDENT, DAMAGE DURING TRANSIT OR INSTALLATION, FIRE, FLOOD, ACTS OF GOD.** *Sunset Swings* is not responsible for the repair or replacement of any parts that *Sunset Swings* determines have been subjected after the date of manufacture to alteration, neglect, abuse, misuse, normal wear and tear, accident, damage during transit or installation, fire, flood, or an ACT OF GOD.

**TRANSPORTATION COSTS.** *Sunset Swings* will accept parts covered under this warranty freight collect, provided that shipment has received prior approval. *Sunset Swings* is not responsible for any other transportation costs, but will ship freight collect parts either repaired or replaced under these warranties.

**WARRANTY CLAIM PROCEDURE.** All claims should include: model number, the serial number, proof of purchase, date of installation, and all pertinent information supporting the existence of the alleged defect. Please call for approval of shipment of warranty parts.

*Sunset Swings*  
Health In Motion LLC  
637 S. State College Blvd.  
Fullerton, CA 92831  
(714) 738-1729  
(714) 738-1728