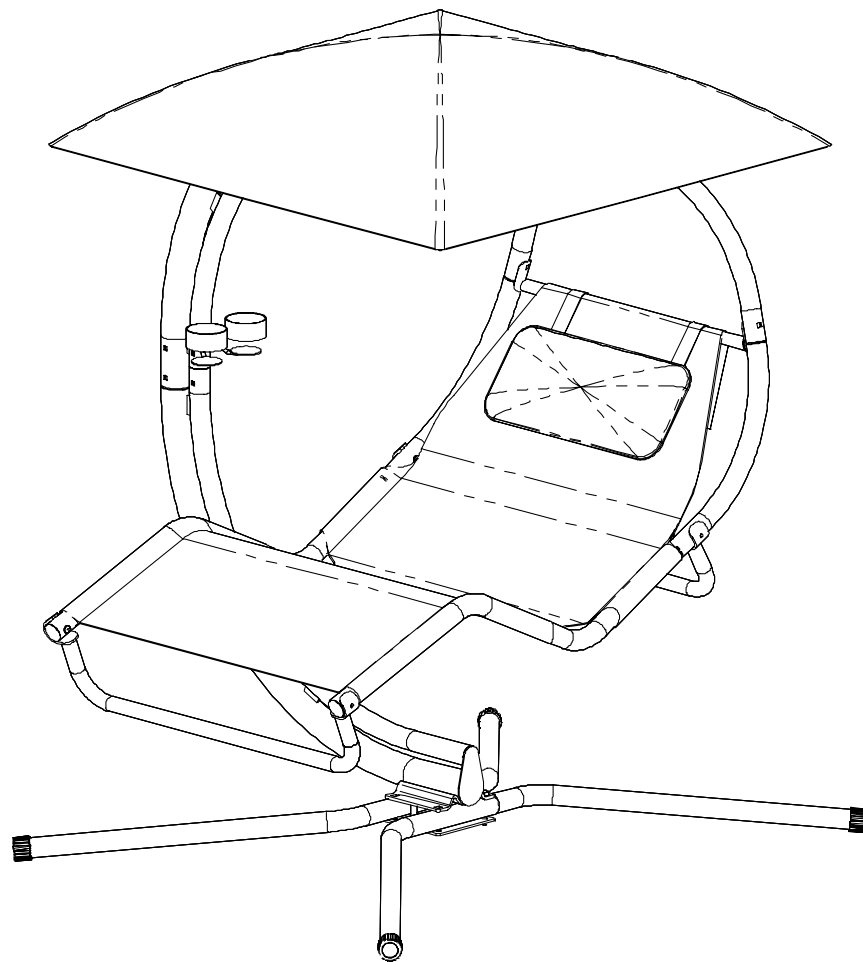


Sunset Swings

By Health In Motion

ASSEMBLY & OPERATION MANUAL

MODEL 421
LOUNGE SWING



RECORD SERIAL NUMBER HERE

421 OWNERS MANUAL

READ! VERY IMPORTANT

**RESIDENTIAL USE ONLY,
FOR ADULTS ONLY**

Caution: Make sure swing has completely stopped before entering or exiting the swing. Be careful as swing may shift while entering or exiting.

This swing is for casual relaxation swinging only.

Make sure bystanders are at least 5 feet away from the swing while it is in motion.

Be cautious swinging while children are present as they may stray into the path of the swing.

In freezing climates, the canopy option should be removed, folded and stored in a dry place before the first freeze or snow, and until the last freeze or snow has passed.

The canopy option is not designed for high winds. If high winds are expected, please remove the canopy. Failure to follow this instruction can result in broken canopy rods.

Thank you for choosing Sunset Swings. Please read the contents of this manual thoroughly. The information inside will help you in many different areas. *You will need to send in your customer registration card at the back of this manual to validate your warranty.*

Table of Contents

Positioning your swing_____	3
Tools required for assembly_____	3
Helpful installation hints_____	3
Parts List_____	4
Hardware List_____	4
Assembly Instructions_____	5-14
Leveling Instructions_____	15
Label Reference Images_____	16
Label Placement_____	17
General Maintenance_____	18
Safety Tips_____	18
Limited Warranty_____	19
Warranty Claim Procedure_____	19

Sunset Swings by Health In Motion LLC reserves the right to alter the specifications of this product at any time.

Positioning Your Swing

1. The swing is designed to be installed on a level surface.
2. There should be a minimum clearance of four feet in front and back, and two feet on each side of your swing. It should be placed in an area where children will not stray or walk into the path of the swing.

Tools required for assembly

1. 3/4" box or ratchet wrench
2. 9/16" box or ratchet wrench
3. 4, 5, 6 mm and 3/16" Allen wrenches (included)

Helpful installation hints

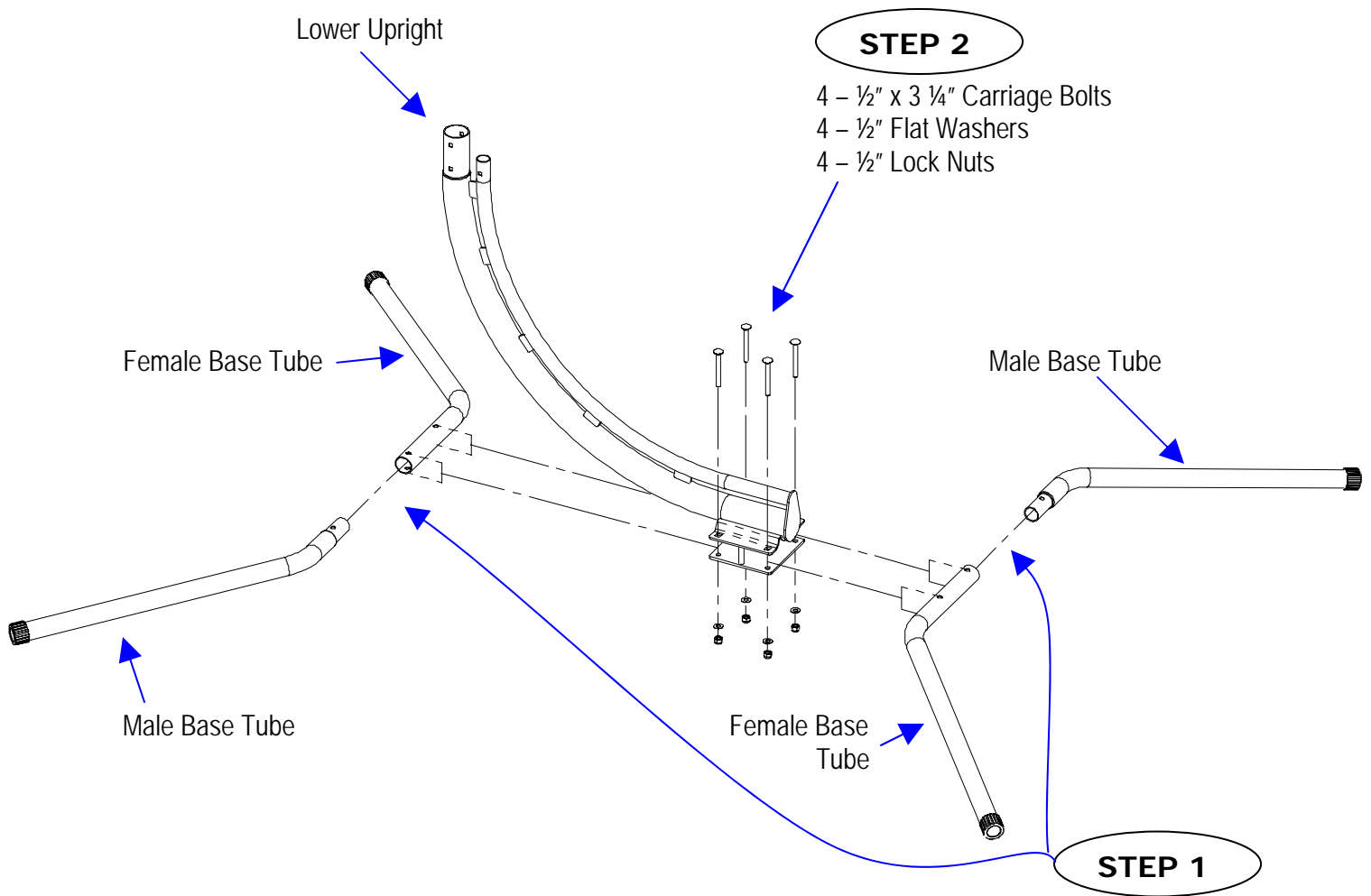
1. At least 2 people are recommended to assemble this swing. Some parts are large and heavy. Use care when handling.
2. Identify all of the parts for your swing. Empty the box and lay out the parts for identification using the Parts List.
3. Read all the way through the instructions completely before beginning the assembly.
4. Do not tighten hardware completely until instructed. It helps to have some adjustment for bolt alignment while you are connecting parts. Follow the tightening sequence as mentioned in the steps. **After you have completed the assembly, recheck that all hardware is secure and tight.**

Parts List

- 2.....Male Base Tube
- 2.....Female Base Tube
- 1.....Lower Upright
- 1.....Upper Upright
- 1.....Cup Holder
- 1.....Top Bracket Assembly
- 1.....Canopy Support Assembly
- 2.....Arc Support Tube
- 2.....Bent Seat Tube
- 2.....Separator Assembly
- 1.....Seat Fabric
- 1.....Head Cross Assembly
- 4.....Canopy Rod
- 1.....Canopy
- 1.....Pillow
- 1.....Bearing Assembly

Hardware List

- 4.....5/16"-18 x 1 3/4" Button Head Bolt
- 2.....3/8"-16 x 3" Button Head Bolt
- 1.....3/8"-16 x 2 1/2" Carriage Bolt
- 2.....3/8"-16 x 2 5/8" Carriage Bolt
- 6.....3/8"-16 x 2 3/4" Carriage Bolt
- 2.....3/8"-16 x 3 5/8" Carriage Bolt
- 2.....3/8"-16 x 4 1/4" Carriage Bolt
- 4.....1/2"-13 x 3 1/4" Carriage Bolt
- 4.....5/16" Flat Washer
- 16.....3/8" x 21mm OD Flat Washer
- 4.....1/2" Flat Washer
- 4.....5/16" Lock Washer
- 15.....3/8"-16 Lock Nut
- 4.....1/2"-13 Lock Nut
- 2.....5/16" x 1 3/4" T-Nut
- 1.....3/16" Allen Wrench
- 1.....4 mm Allen Wrench
- 1.....5 mm Allen Wrench
- 1.....6 mm Allen Wrench



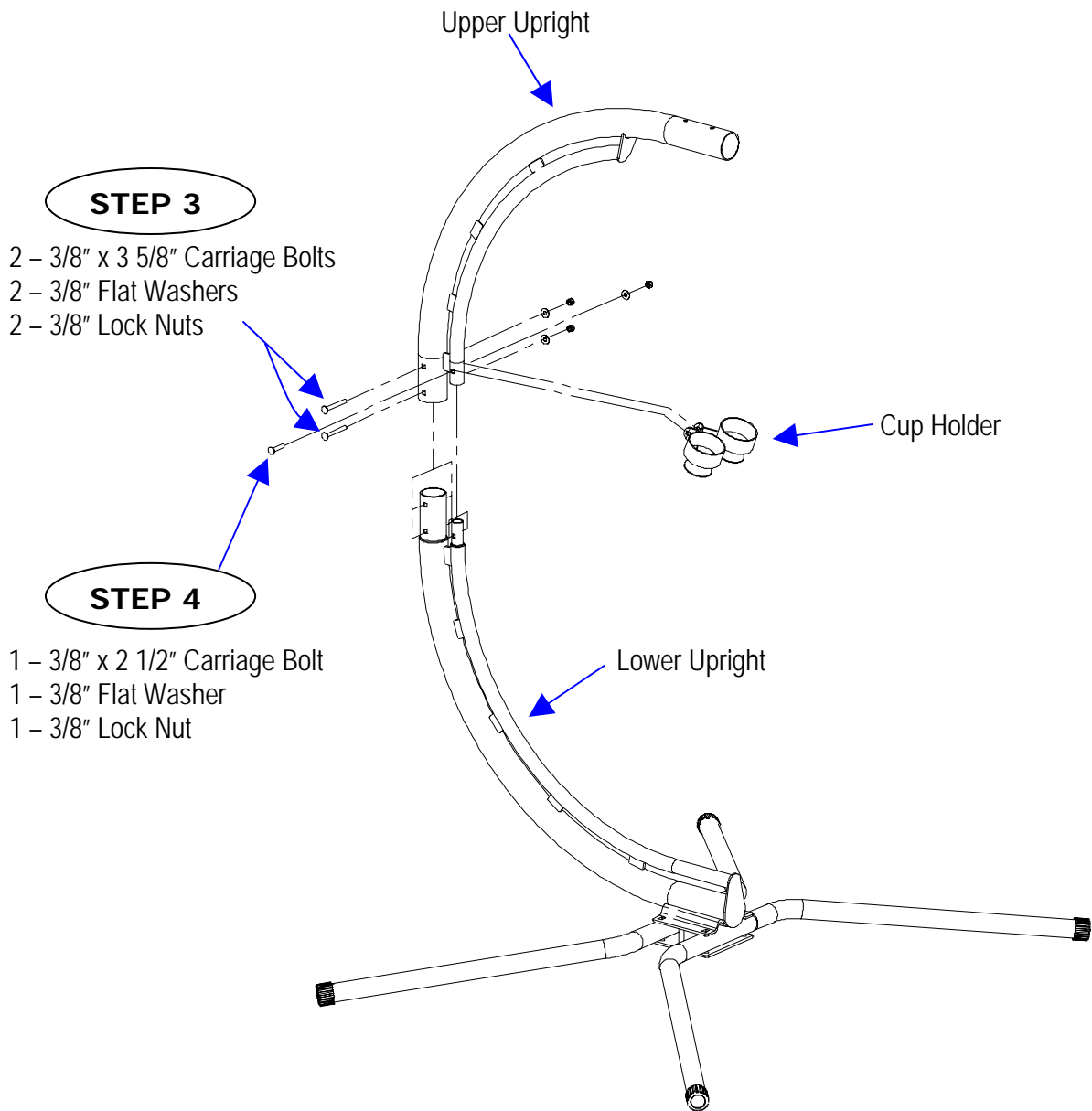
Step 1: Connect the Male Base Tubes to the Female Base Tubes as shown in the diagram above.

Step 2: Attach the Lower Upright to the Base Tubes using:

- Four (1/2" x 3 1/4" Carriage Bolts)**
- Four (1/2" Flat Washers)**
- Four (1/2" Lock Nuts)**

NOTE: Make sure Base Tubes are angled downward, and that drain holes near the outside end caps are facing downward.

NOTE: Tighten Bolts Now



Step 3: Attach Upper Upright to Lower Upright using:

NOTE: Tighten Bolts Now

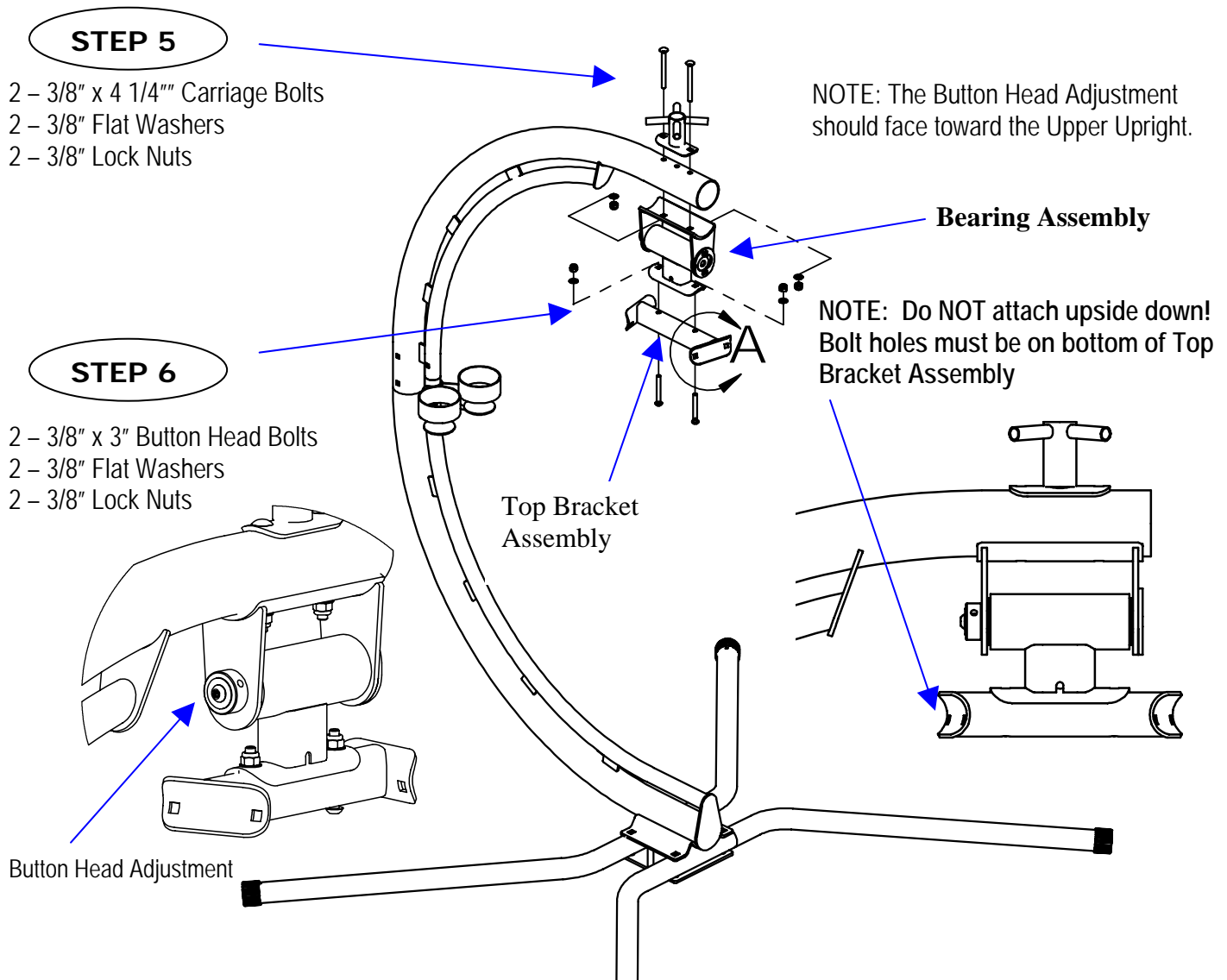
**Two (3/8" x 3 5/8" Carriage Bolts)
Two (3/8" Flat Washers)
Two (3/8" Lock Nuts)**

Step 4: Attach Cup Holder to Upper Upright using:
**Cup Holder can also be put on lower bolt hole
but do not allow the smaller inner tube to
slide down into the Lower Upright**

NOTE: Tighten Bolts Now

**One (3/8" x 2 1/2" Carriage Bolts)
One (3/8" Flat Washer)
One (3/8" Lock Nut)**

One (3/8" Lock Nuts)



Step 5: Drop the two 4-1/4" Carriage Bolts through the Canopy Support Assembly, Upper Upright, and Bearing Assembly. Fasten each bolt with a Flat Washer and Lock Nut and tighten them.

IMPORTANT – The Carriage Bolts must be threaded at least 1/8" through the Lock Nuts.

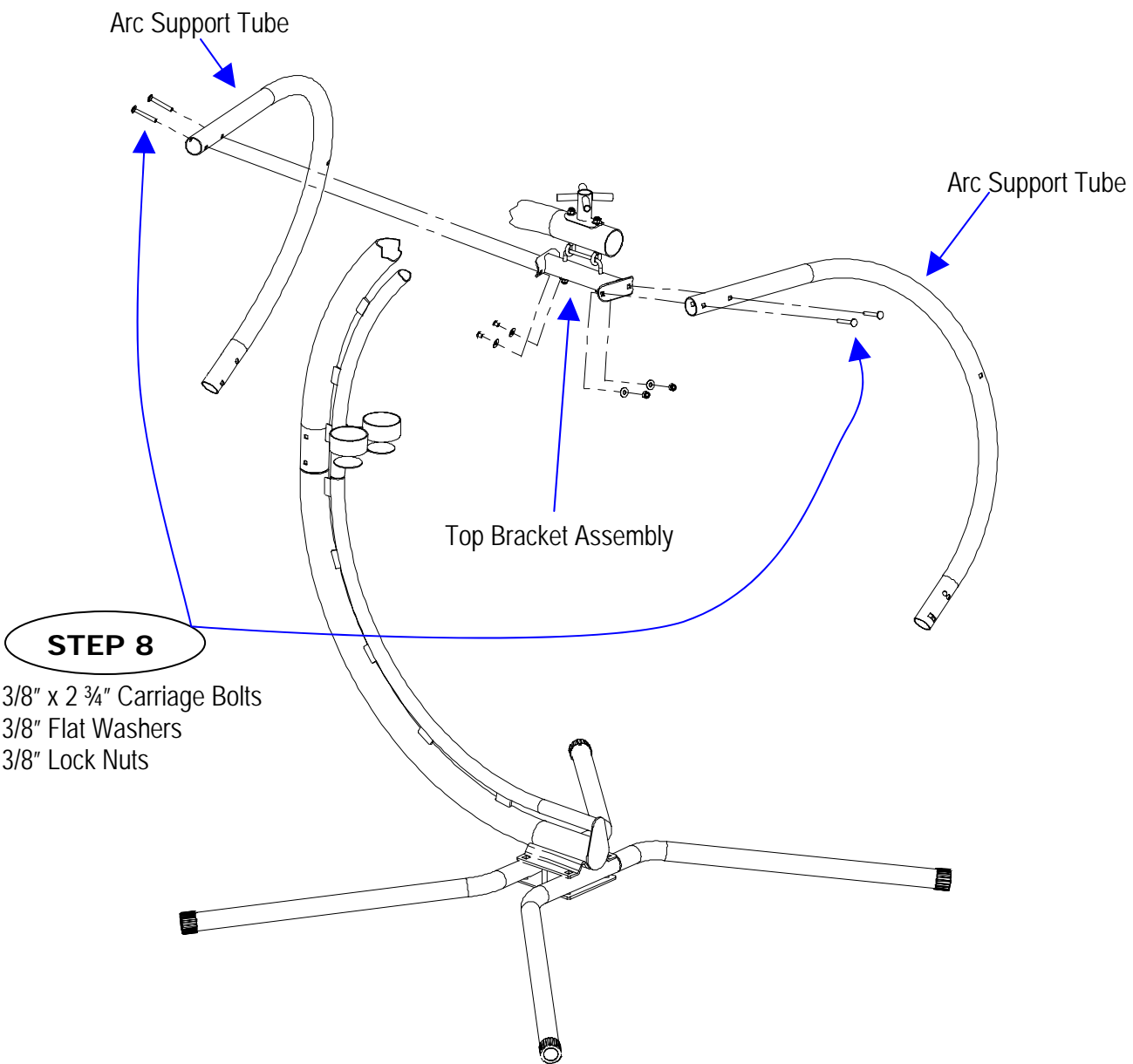
Step 6: Attach the Top Bracket Assembly to the Bearing Assembly using:

- 2 – 3/8" x 3" Button Head Bolts
- 2 – 3/8" Flat Washers
- 2 – 3/8" Lock Nuts

Do NOT attach the Top Bracket Assembly upside down.

IMPORTANT – The Button Head Bolts must be threaded at least 1/8" through the Lock Nuts.

Step 7 has been deleted. Please proceed to Step 8 in your instruction manual.

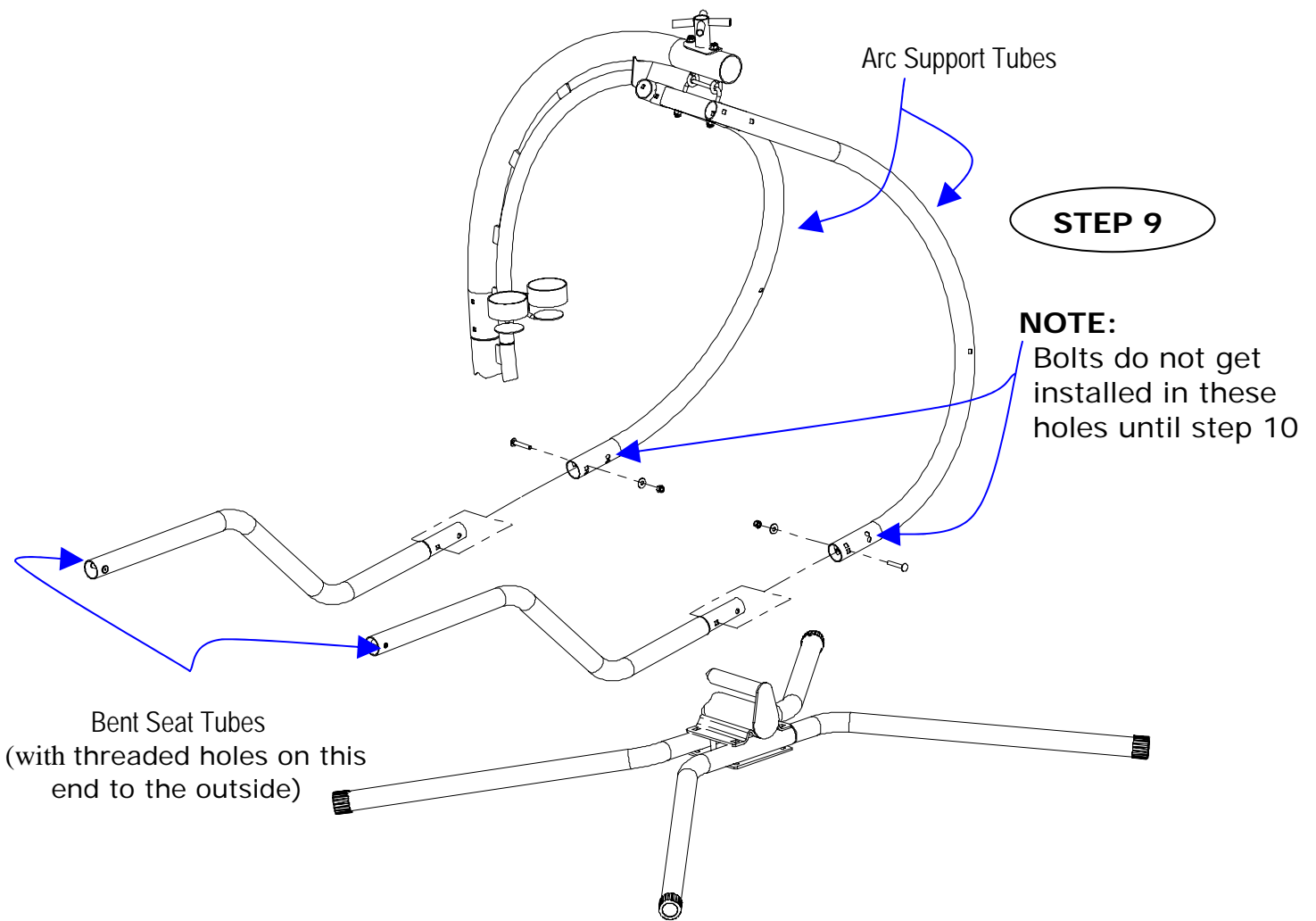


STEP 8

- 4 – 3/8" x 2 3/4" Carriage Bolts
- 4 – 3/8" Flat Washers
- 4 – 3/8" Lock Nuts

Step 8: Attach the Arc Support Tubes to the Top Bracket Assembly using:

- Four (3/8" x 2 3/4" Carriage Bolts)**
- Four (3/8" Flat Washers)**
- Four (3/8" Lock Nuts)**



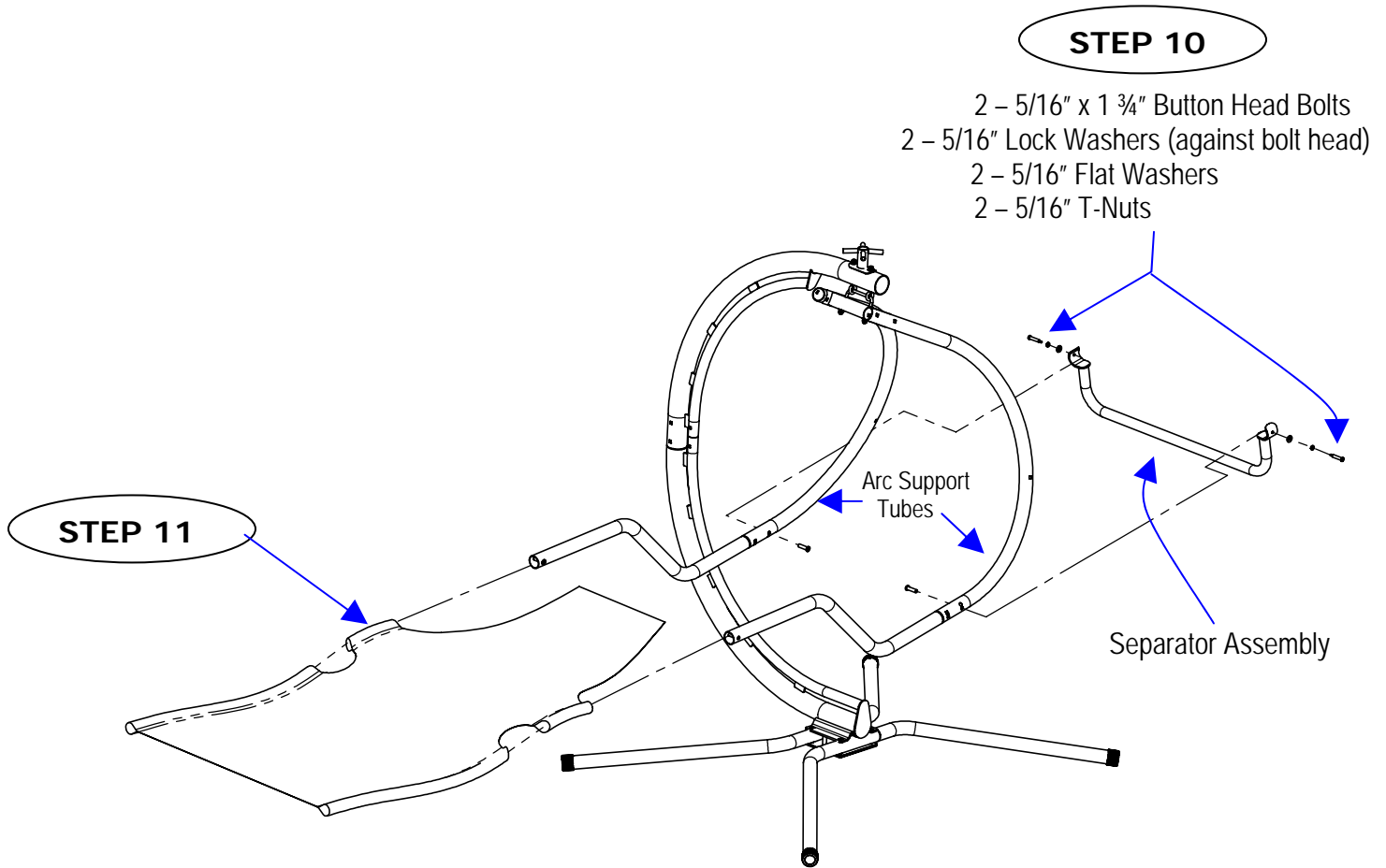
Step 9: Attach the Bent Seat Tubes (with threaded holes on bottom end to the outside) to the Arc Support Tubes using:

Two (3/8" x 2 5/8" Carriage Bolts)
 Two (3/8" Flat Washers)
 Two (3/8" Lock Nuts)

NOTE: On bottom end of Bent Seat Tubes, make sure weld is to the inside and threaded holes are to the outside.

NOTE: Tighten Bolts Now

IMPORTANT: Do not tighten the bolts in Step 10 until fabric is installed.



Step 10: Attach a Separator Assembly to the Arc Support Tubes using:

Two (5/16" x 1 3/4" Button Head Bolts)
Two (5/16" Lock Washers against bolt head)
Two (5/16" Flat Washers)
Two (5/16" T-Nuts)

NOTE: Just engage 3 or 4 threads of the bolts into the T-Nuts. Do Not Tighten Bolts until after Fabric is installed and positioned correctly.

Step 11: Install Fabric as shown in the diagram above.

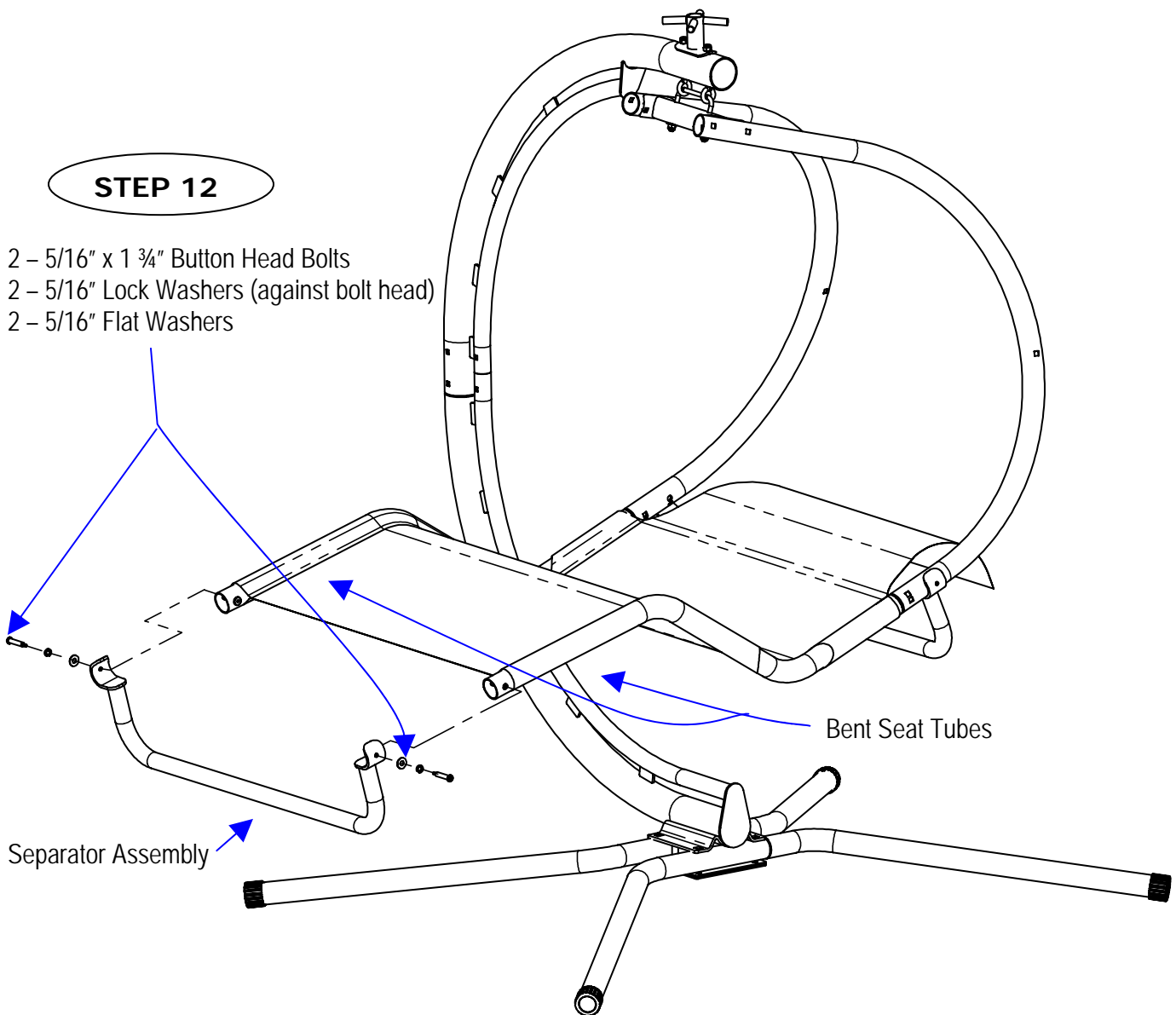
NOTE: Be sure that the Velcro side is face down.

NOTE: Slide fabric up until it touches the flanges on the Separator Assembly. The carriage bolt installed in Step 9 will be covered by the fabric.

NOTE: Tighten Bolts from Step 10 Now, but only until the fabric is taught. DO NOT OVERTIGHTEN!

STEP 12

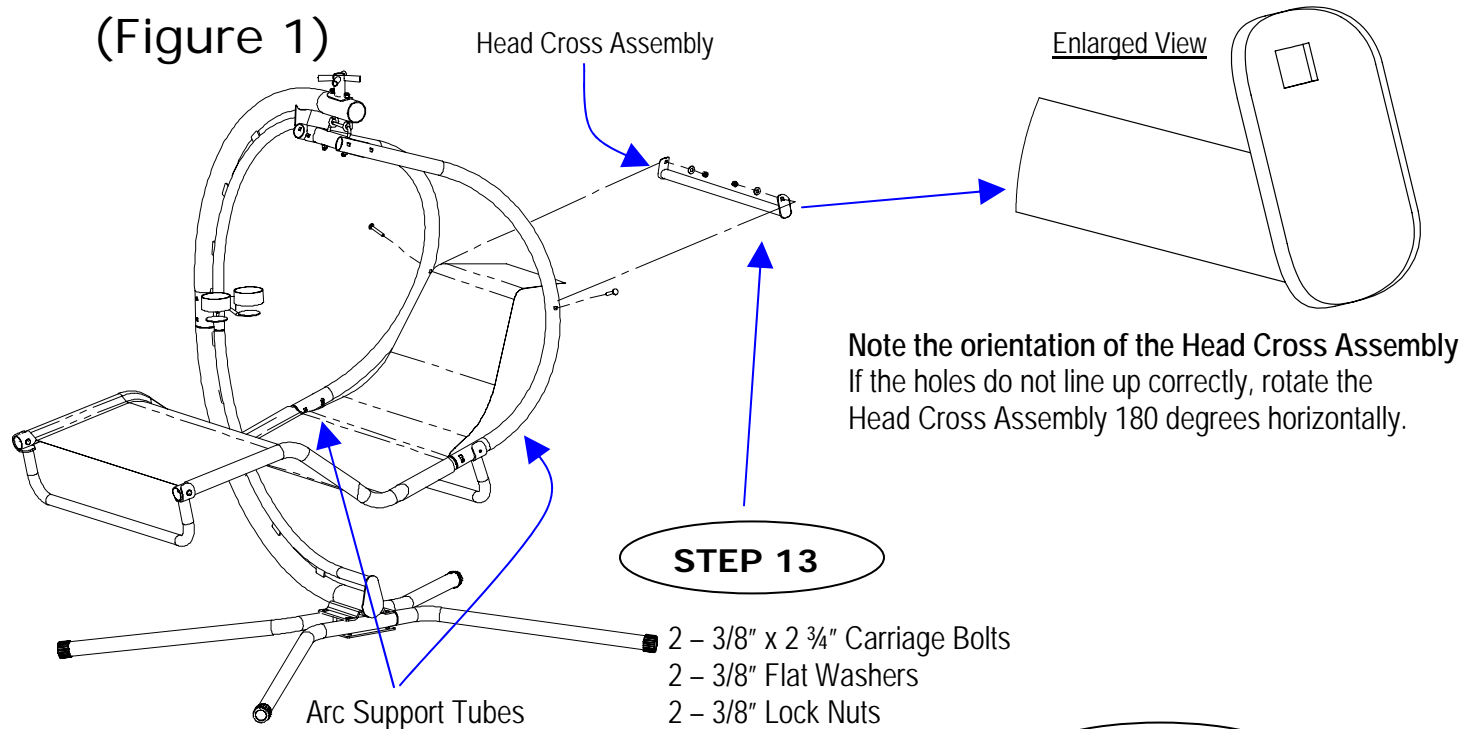
- 2 – 5/16" x 1 3/4" Button Head Bolts
- 2 – 5/16" Lock Washers (against bolt head)
- 2 – 5/16" Flat Washers



Step 12: Attach a second Separator Assembly to the Bent Seat Tubes using:

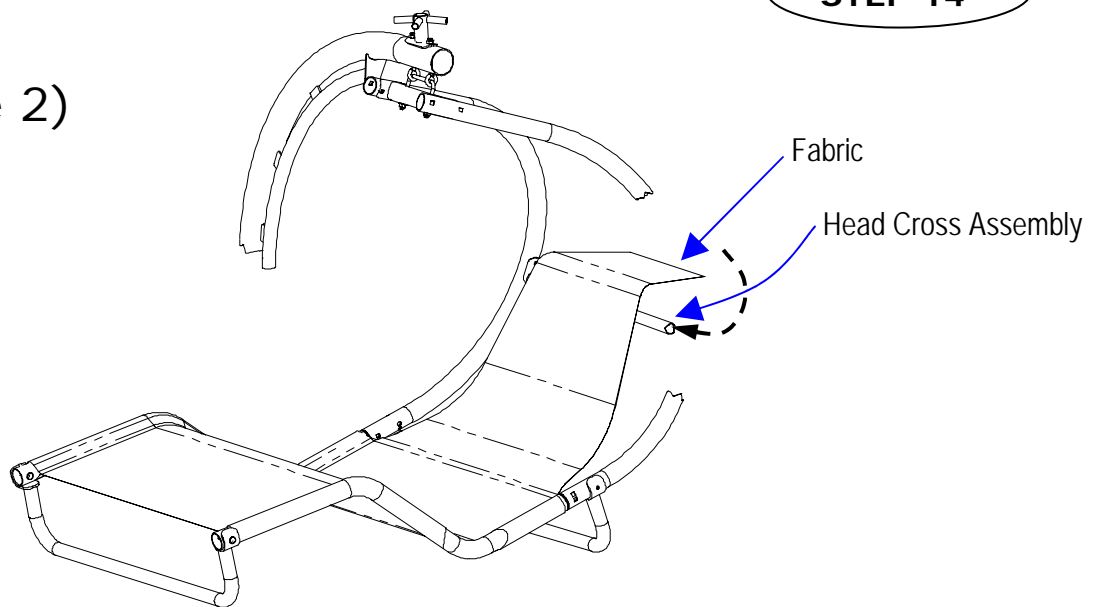
- Two (5/16" x 1 3/4" Button Head Bolts)
- Two (5/16" Lock Washers against bolt head)
- Two (5/16" Flat Washers)

**NOTE: Tighten Bolts Now, but only until the fabric is taugt.
DO NOT OVERTIGHTEN!**



STEP 14

(Figure 2)



(Figure 1) Step 13: Attach Head Cross Assembly to Arc Support Tubes using:
Two (3/8" x 2 3/4" Carriage Bolts)
Two (3/8" Flat Washers)
Two (3/8" Lock Nuts)

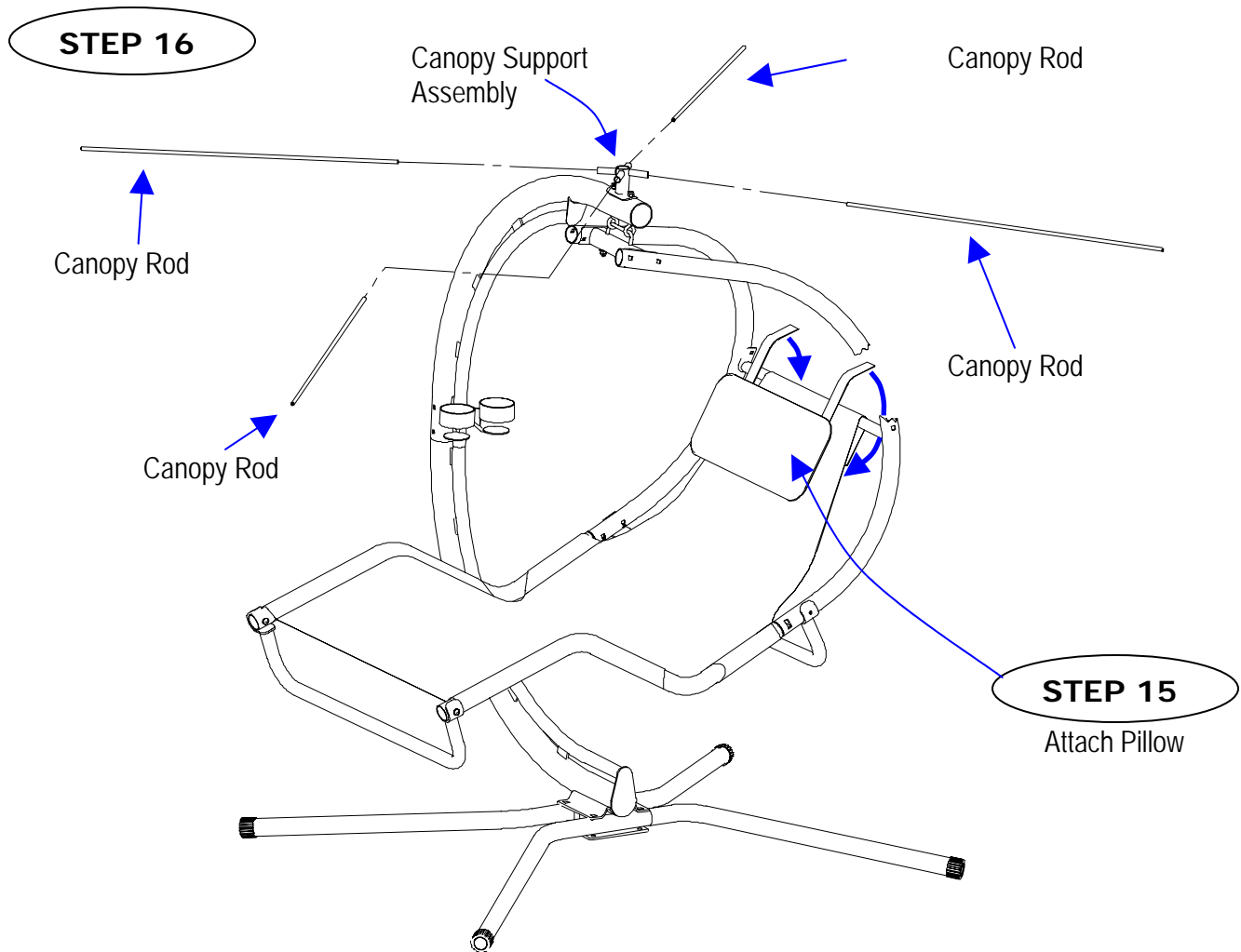
NOTE: Tighten Bolts Now

(Figure 2) Step 14: Wrap Fabric around Head Cross Assembly and Velcro to under side.

NOTE: Be sure to pull fabric tight before securing Velcro.

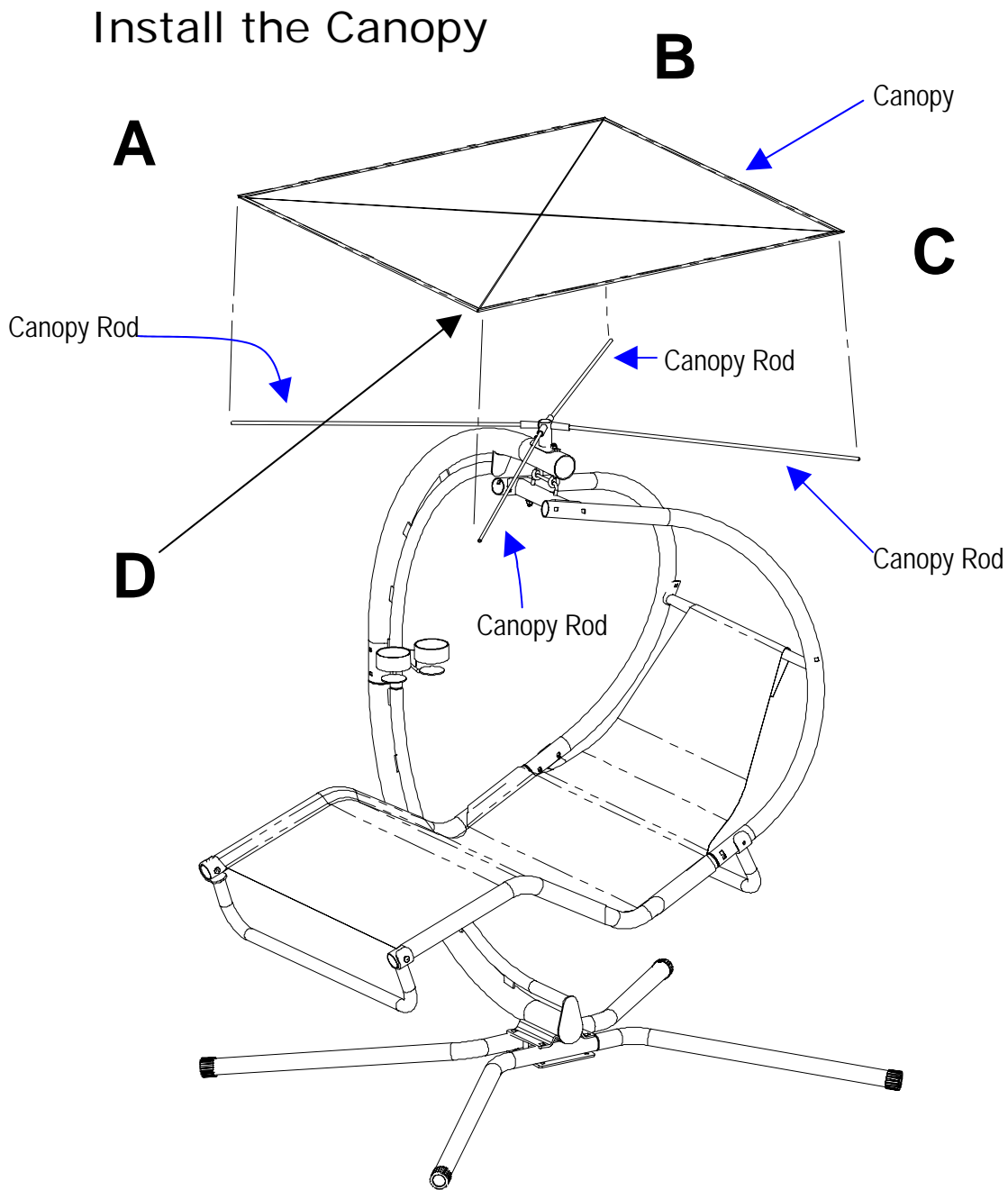
NOTE: Velcro MUST have full area engagement. To ensure maximum Velcro adhesion, apply pressure while rubbing on both sides of Velcro engagement region.

INSTALL THE FIBERGLASS CANOPY RODS



Step 15: Install Pillow by attaching the Pillow straps to the Velcro patches on the back of the Seat Fabric.

Step 16: Install all four Canopy Rods by sliding them into the Canopy Support Assembly.



Step 17: The Canopy for the 421 Lounge Swing is a square piece of fabric with pocketed corners. Begin by laying the canopy on top of the Canopy Rods. Next, slide one of the pocketed corners of the Canopy onto one of the Canopy Rods. Continue in a clockwise fashion, from corner "A" to corner "D", as shown in the diagram above.

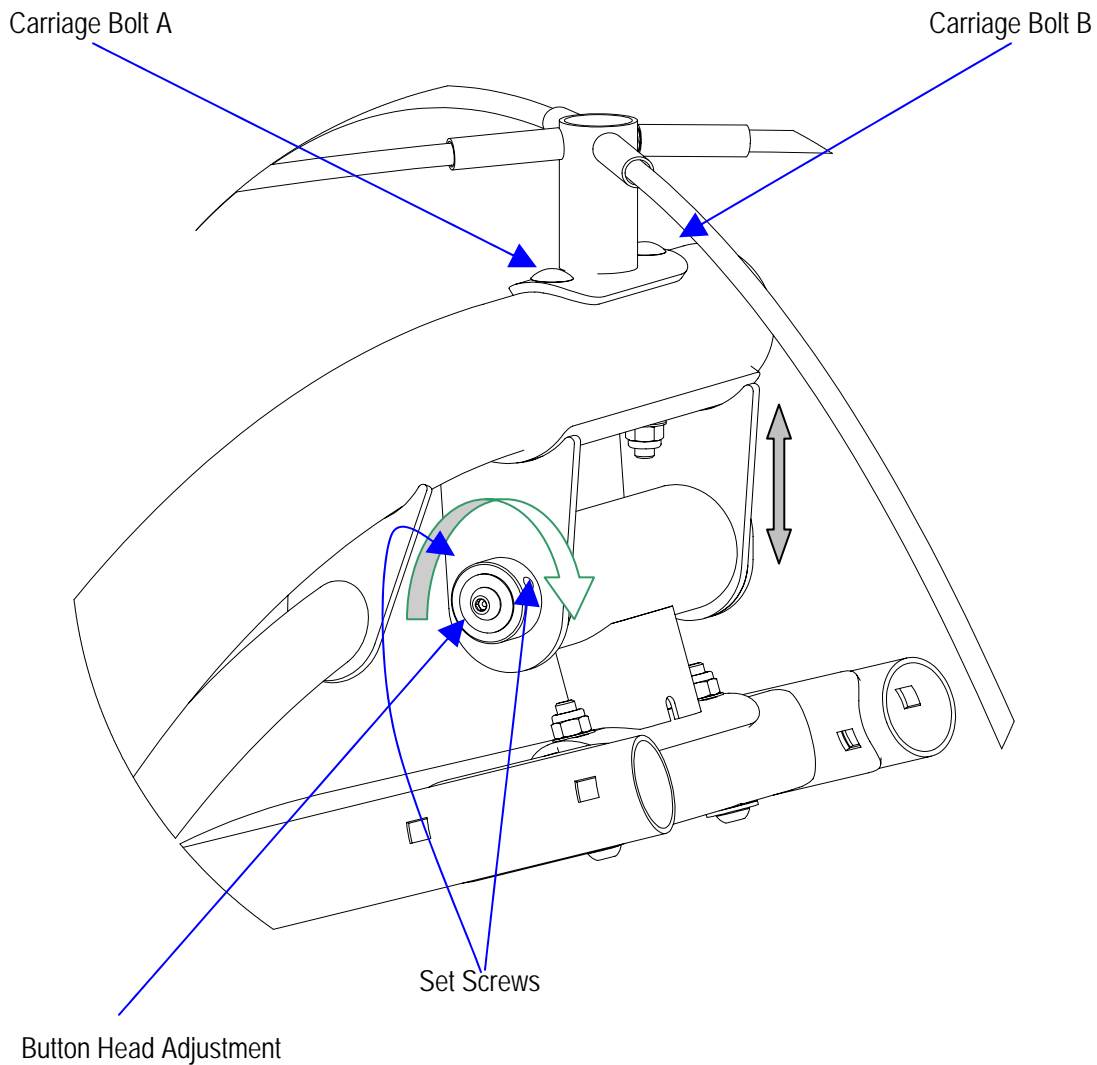
NOTE: Getting the last corner (corner "D") onto its Canopy Rod requires pulling the canopy fabric down and towards the end of Canopy Rod D. Continue stretching the Canopy toward the end of the Canopy Rod until it slides into the corner pocket of the Canopy.

Leveling the Seat (Optional)

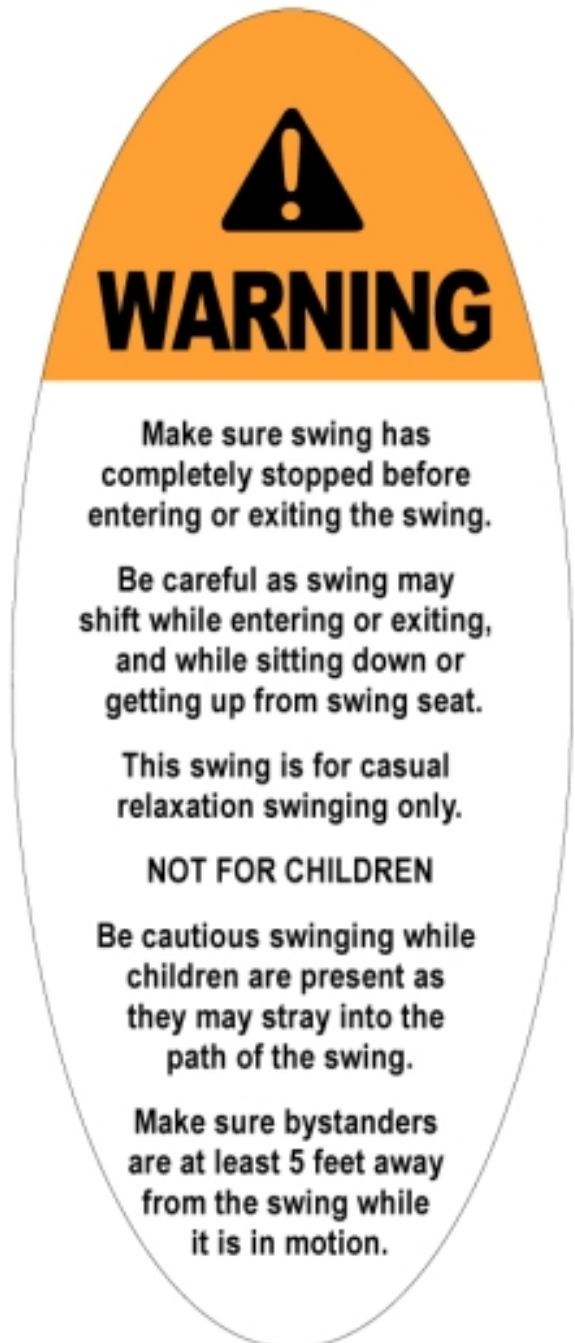
With the 4mm Allen wrench, make sure the two set screws are loose and do not come in contact with the inner shaft. Then rotate the button head adjustment, with the 6mm Allen wrench, clockwise to tilt swing up and down until seat is level and visually pleasing. Then tighten both set screws.

Leveling the Canopy (optional)

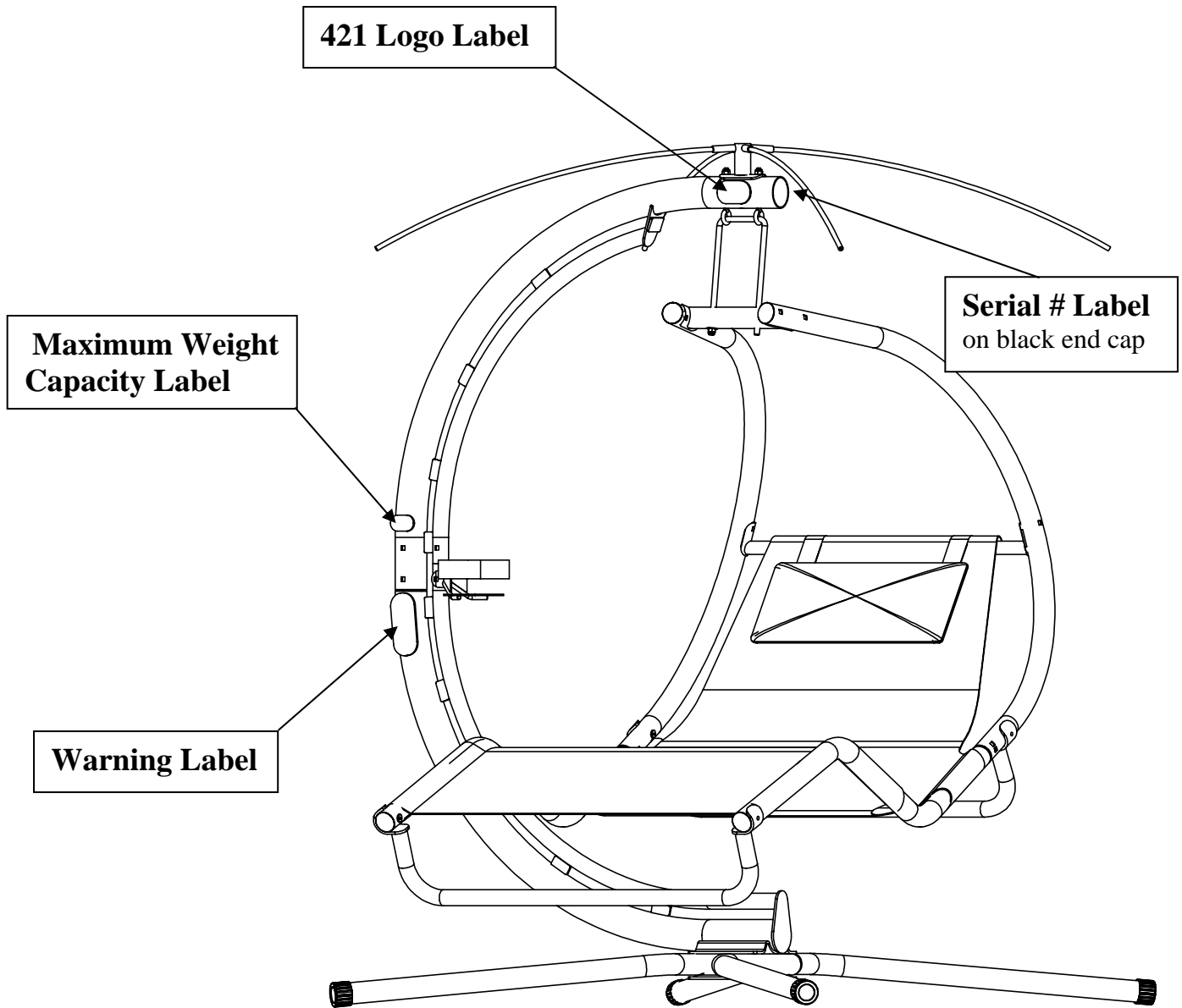
Leveling the Canopy can be achieved by placing an extra washer or two on either carriage bolt A or carriage bolt B, between the Canopy Support Assembly and the Upper Upright.



Label Reference Images



Label Placement



GENERAL MAINTENANCE INFORMATION

Canopy: In freezing climates, the canopy option should be removed, folded and stored in a dry place before the first freeze or snow, and until the last freeze or snow has passed.

The canopy option is not designed for high winds. If high winds are expected, please remove the canopy fabric. Failure to follow this instruction can result in broken canopy rods.

Nuts and Bolts: Inspect all nuts and bolts for any loosening and tighten if needed.

Go through a re-tightening sequence periodically to ensure that all hardware is tensioned properly.

Decals: Inspect and familiarize yourself with any safety warnings or other user information posted on each decal.

Location of Swing: This swing should not be placed near the ocean or next to a swimming pool due to the harshness of the salt and chemicals in these environments. Failure to follow this instruction can result in rust forming on the swing frame.

SAFETY TIPS

The Velcro below the Head Cross Assembly MUST have full area engagement. To ensure maximum Velcro adhesion, apply pressure while rubbing on both sides of Velcro engagement region. Check Velcro adhesion each time before using swing. Please see the note on the bottom of page 12 of the manual

Make sure swing has completely stopped before entering or exiting the swing. Be careful as swing may shift while entering or exiting.

This swing is for casual relaxation swinging only.

Make sure bystanders are at least 5 feet away from the swing while it is in motion.

Be cautious swinging while children are present as they may stray into the path of the swing.

PLEASE KEEP THIS FOR YOUR RECORDS

Sunset Swings

By Health In Motion LLC

LIMITED TEN YEAR WARRANTY

Sunset Swings warrants this product to the original purchaser to be free from defects in workmanship and/or materials under normal use. If at any time a component part is defective, *Sunset Swings* shall repair or replace it (at *Sunset Swings* option) within a reasonable period of time. This warranty does not cover costs of removal, transportation or reinstallation. This warranty shall not apply if the defect was caused by misuse, neglect or normal wear and tear. Starting from the original date of purchase, normal wear and tear shall be considered as the following: All malfunctions of the rubber, foam and polyester fabric that occur after 90 days, all malfunctions of acrylic canopy fabric that occurs after 3 years, all malfunctions of wood, bearings, bushings or hardware that occur after ten years. The powder coated frame and all welded components are warranted for ten years. *Sunset Swings* sole responsibility shall be to repair or replace the component within the terms stated above. *Sunset Swings* shall not be liable for any loss or damage of any kind including any incidental or consequential damages resulting, directly or indirectly from any warranty expressed or implied or any other failure of this product.

WHAT IS NOT COVERED BY THIS WARRANTY

Sunset Swings sole obligation under this warranty is limited to either repair or replacement of parts, subject to the additions below. This warranty neither assumes nor authorizes any person to assume obligations other than expressly covered by this warranty.

NO CONSEQUENTIAL DAMAGES. *Sunset Swings* is not responsible for economic loss; profit loss; or special, indirect, or consequential damages.

WARRANTY IS NOT TRANSFERABLE. This warranty is not assignable and applies only in favor of the original purchaser/user to whom delivered. Any such assignment or transfer shall void the warranties herein made and shall void all warranties, express, implied or statutory. There are no warranties which extend beyond the description on the face hereof.

ALTERATION, NEGLIGENCE, ABUSE, MISUSE, NORMAL WEAR AND TEAR, ACCIDENT, DAMAGE DURING TRANSIT OR INSTALLATION, FIRE, FLOOD, ACTS OF GOD. *Sunset Swings* is not responsible for the repair or replacement of any parts that *Sunset Swings* determines have been subjected after the date of manufacture to alteration, neglect, abuse, misuse, normal wear and tear, accident, damage during transit or installation, fire, flood, or an ACT OF GOD.

TRANSPORTATION COSTS. *Sunset Swings* will accept parts covered under this warranty freight collect, provided that shipment has received prior approval. *Sunset Swings* is not responsible for any other transportation costs, but will ship freight collect parts either repaired or replaced under these warranties.

WARRANTY CLAIM PROCEDURE. All claims should include: model number, the serial number, proof of purchase, date of installation, and all pertinent information supporting the existence of the alleged defect. Please call for approval of shipment of warranty parts.

Sunset Swings
Health In Motion LLC
637 S. State College Blvd.
Fullerton, CA 92831
(714) 738-1729
(714) 738-1728